



WINDOW & FACADE

## COMPACT VERTICAL AWNING WITH ROUND PROTECTIVE BOX



# UNIVERSAL US3510 | US3910



Wire rope guides



Rod guides



Guide rails

- Compact box system with round protective box
- Mounting options on to the wall, below the ceiling or in the soffit
- Various guide systems: Wire rope, rods or aluminium profile
- Elegant system for use before glass fronts or roofed terraces
- Manual operation through the wall possible using gear unit/joint plate
- Coupling options for max. 3 units

## US3510

	min. 40 cm max. 400 cm
	min. 40 cm max. 250 cm

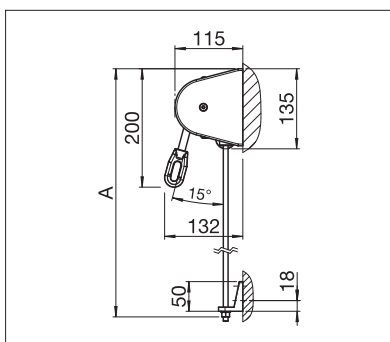


## US3910

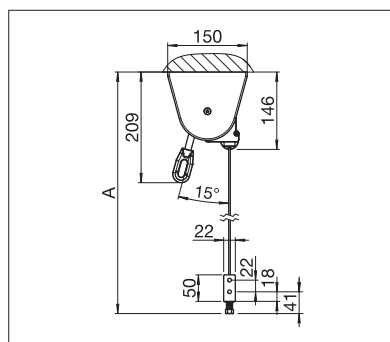
	min. 40 cm max. 450 cm
	min. 40 cm max. 400 cm*

\*with cable/rod design to max. 300 cm high

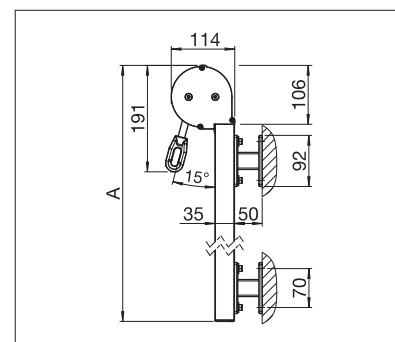
Technical dimensions in millimetres



US3510 Wall installation



US3910 Top installation



US3910 Offset wall mounting



REGISTRATION REQUIRED



## COLOURS

Discover the diverse options when selecting frame colours.



## FABRICS

Choose from a comprehensive range of materials and colours.



## ELECTRICS

More convenience thanks to the automated control and lighting systems.

More information at [www.stobag.com](http://www.stobag.com)

