



CONSERVATORY & ATRIUM

**FLEXIBLE USE – FOR LARGE AND SPECIAL
CONSERVATORY SHAPES**



TARGA PS6000 | PS6100 PLUS



Self-supporting boxes



Adjustable guide rails



PS6100 Extending projection

- Self-supporting box construction
- Continuous protection up to 7 m in width
- High fabric tension thanks to integrated gas springs
- Can be closed at the sides making it aesthetically pleasing
- Cable / plug built into the side cover
- Different types of fixing brackets allow easy and flexible installation on the conservatory
- Guide rails are arranged flexibly and can be moved inwards up to 100 cm
- Patented extension mechanism: Additional extending projection up to a maximum of 140 cm for optimum vertical front shading (PS6100)

PS6000

min. 100 cm
max. 600/700 cm

min. 110 cm
max. 600/700 cm



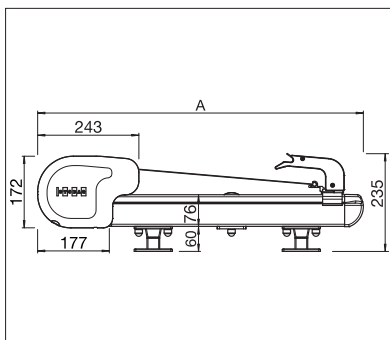
PS6100 PLUS

min. 100 cm
max. 600/700 cm

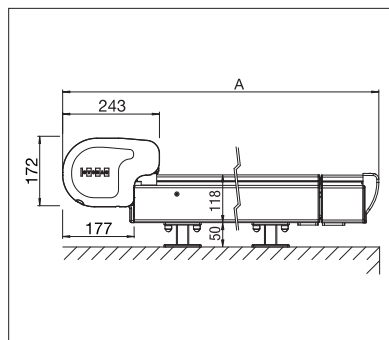
min. 185 cm
max. 600/700 cm



Technical dimensions in millimetres



PS6000 Side view



PS6100 Side view



EN 13561



REGISTRATION
REQUIRED



COLORS

Discover the diverse options when selecting frame colours.



FABRICS

Choose from a comprehensive range of materials and colours.



ELECTRICS

More convenience thanks to the automated control and lighting systems.

More information at www.stobag.com

