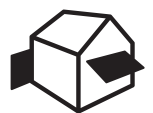




BALCONY & TERRACE  
**ELEGANT BALCONY AWNING  
WITHOUT BACK BAR**



# SIGMA S7000 | S7200



Valance



Wall installation with top board

- Extremely stable and elegant balcony awning without back bar
- Time-saving installation to ceiling (S7000) or wall (S7200)
- Awning incline adjustable to 68° depending on installation
- With security against knock-ups
- Optional cover board available (S7200)
- Optional Valance provides additional shade and hides the awning arms from view

## S7000

	min.	150 cm
	max.	550 cm
	min.	120 cm
	max.	250 cm

**A<sub>2</sub>** CLASS  
BEAUFORT 5

The wind resistance class can vary depending on version and dimension.



## S7200

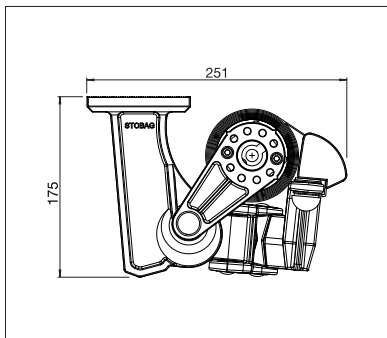
	min.	150 cm
	max.	550 cm
	min.	120 cm
	max.	300 cm

**A<sub>2</sub>** CLASS  
BEAUFORT 5

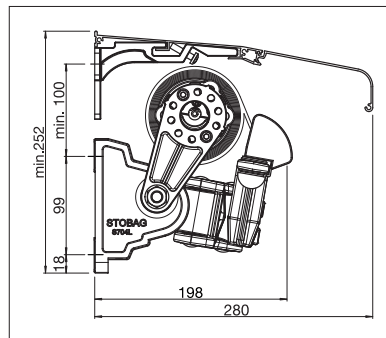
The wind resistance class can vary depending on version and dimension.



Technical dimensions in millimetres



Top installation



Wall installation with top board



REGISTRATION  
REQUIRED



### COLOURS

Discover the diverse options when selecting frame colours.



### FABRICS

Choose from a comprehensive range of materials and colours.



### ELECTRICS

More convenience thanks to the automated control and lighting systems.

More information at [www.stobag.com](http://www.stobag.com)

