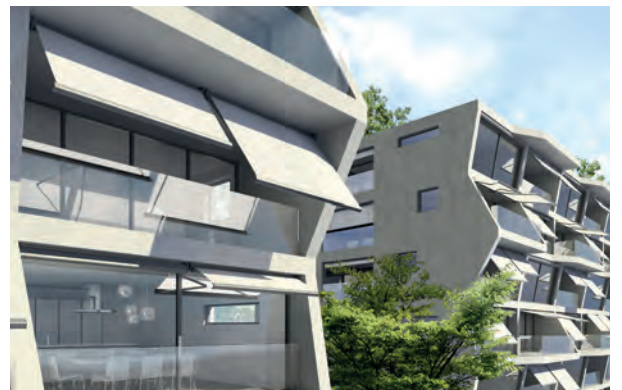


PURABOX



BALCONY & TERRACE

**SMALLEST STOBAG BOX AWNING WITH
MERELY 10 CM BOX HEIGHT**



PURABOX BX1500



Round design



Rafter fixing

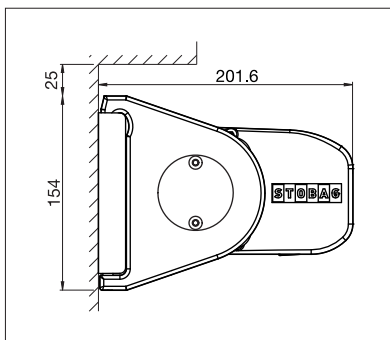
- Sealed box protects from the elements
- Small box – only 10 cm high
- Awning incline adjustable from 0° to 90°
- Quick and easy to install
- Various mounting options to the wall, below the ceiling or to the frames
- Stylish, rounded box
- Optional wall joint profile prevents rain water entering between façade and awning

 min. 185 cm
max. 500 cm

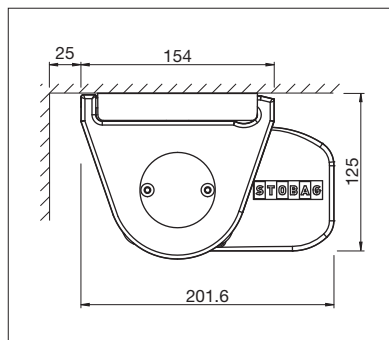
 min. 150 cm
max. 225 cm



Technical dimensions in millimetres



Wall installation



Top installation



REGISTRATION
REQUIRED



COLORS

Discover the diverse options when selecting frame colors.



FABRICS

Choose from a comprehensive range of materials and colors.



ELECTRICS

More convenience thanks to the automated control and lighting systems.

More information at www.stobag.com

