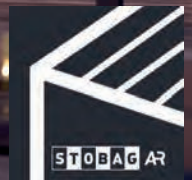


NEW

PERGOLINO



PERGOLA & PAVILION

THE VERSATILE AND SLEEK TERRACE SHADING SOLUTION FOR LOVERS OF THE OUTDOORS. COME RAIN OR SHINE.



PERGOLINO P3600



Variable bracket positioning






Automatic fabric lock (Stoblock)

- Very sleek construction
- High installation flexibility due to sliding brackets and guide rails
- Integrated water channel for lateral rainwater drainage
- High fabric tension due to automatic fabric locking (Stoblock)
- Can be used in the rain with appropriate inclination and a tensioned, water-repellent fabric.
- Various floor mountings of the supports (flower trough, ground sleeves, footplate)
- Large shading area possible – up to 6 m overhang

Options:

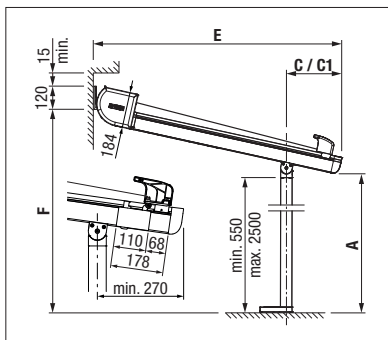
- Integrated water channel for lateral rainwater drainage
- Dimmable LED lighting (Tunable White) integrated in the guides or in the guide tube.

- 
 min. 100 cm
 max. 700 cm*
- 
 min. 140 cm
 max. 600 cm
- 
 Post height
 max. 250 cm

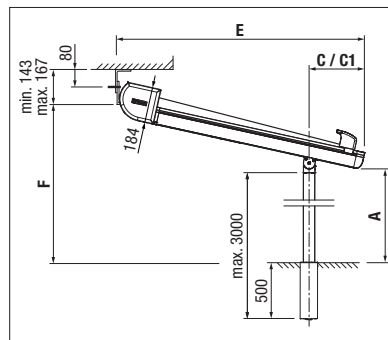
*from 601 cm with 3 guide rails



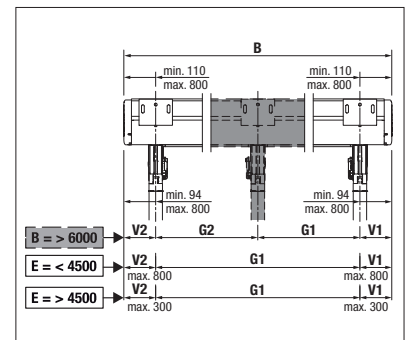
Technical dimensions in millimetres



Wall mounting with footplate



Ceiling mounting with ground sleeves



With three guides



REGISTRATION REQUIRED



EN 13561



LED lighting



Constant fabric tensioning



Our 3D-solution exclusively for you

- 1 Download the STOBAG AR app from the Apple App Store or from Google Play.
- 2 Launch the app
- 3 3 Point the camera at the front of the main image and scan.
- 4 View the product in 3D



COLORS

Discover the diverse options when selecting frame colours.



FABRICS

Choose from a comprehensive range of materials and colours.



ELECTRICS

More convenience thanks to the automated control and lighting systems.



**STOBAG CREATES PLACES
OF RETREAT AND HARMONY
IN FAST-PACED TIMES.**