

NEW

NYON



GLASS ROOF

THE ALL-WEATHER ROOF FOR THOSE WITH
THE HIGHEST STANDARDS.



reddot award 2018
winner

stobag.com



STOBAG

NYON GP3100



Thin rafters for visibility



Optional LED lighting



Optional underglass shading



reddot award 2018
winner

- Elegant all-weather roof
- Winner of the Red Dot Award 2018
- Narrow rafters provide an unobstructed view of the sky
- STOBAG EXCLUSIVE: Frame and glass statics are tested according to EN, thus expensive static calculations are omitted
- Snow loads of up to max. 200 kg/m², can be adapted to local conditions
- Furniture is protected even in the rain
- The roof water is not visibly drained through the supports.
- The glass roof can be extended modularly at any time
- Quick and easy installation
- Roof pitch from 3° to 15°

Options:

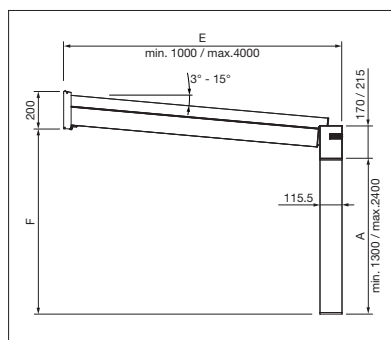
- Overglass shading ARNEX PS8000
- Underglass shading ARNEX PS2500
- Side/front shading
- Side/front glazing
- LED lighting with spots or strips
- Large support spacing possible - due to reinforced water channel

GP3100

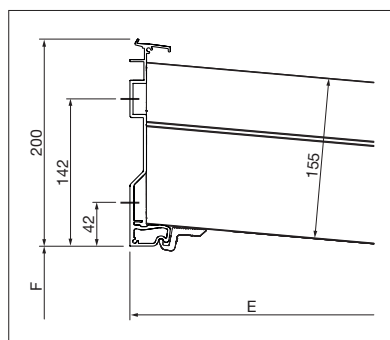
↔	min.	100 cm
	max.	2400 cm
↕	min.	100 cm*
	max.	400 cm

*with underglass shading 120 cm

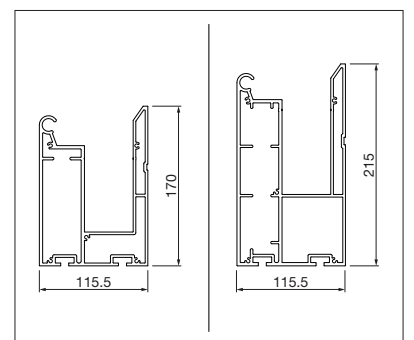
Technical dimensions in millimetres



Side view



Wall connection



Water channel small/large



REGISTRATION REQUIRED



EN 13561

NYON PLUS GP4100 | GP4200



NYON PLUS GP4100 with overglass awning



NYON GP4200 Crossbeam repositioned



Special designs



GERMAN
DESIGN
AWARD
WINNER
2020



- Elegant all-weather roof
- Winner of the GERMAN DESIGN AWARD 2020
- Type NYON PLUS GP4100 – Water channel on the front side
- Design NYON PLUS GP4200 – Cross beam recessed
- STOBAG EXCLUSIVE: Patent pending wall connection for very quick and easy installation
- STOBAG EXCLUSIVE: Frame and glass statics are tested according to EN, thus static calculations are omitted
- Narrow rafters provide an unobstructed view of the sky
- Snow loads of up to max. 600 kg/m²; can be adapted to local conditions
- Furniture is protected even in the rain
- The roof water is not visibly drained through the supports.
- The glass roof can be extended modularly at any time
- Roof incline adjustable from 3° to 15
- Easy maintenance
- Special designs possible

Options:

- Overglass shading ARNEX PS8000
- Side/front shading
- Side/front glazing
- LED lighting with spots or strips
- Large support spacing possible - due to reinforced water channel
- Special reinforcement for installation on insulated facades (house corner)

GP4100 | GP4200



min. 50 cm
max. 2400 cm

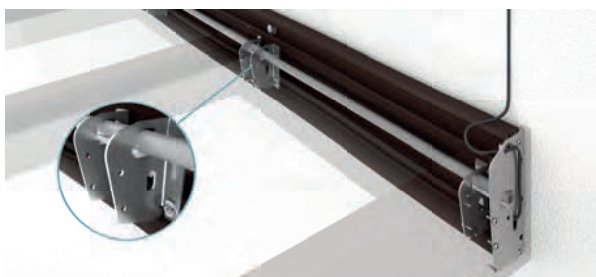


min. 100 cm
max. 450 cm / GP4100
max. 550 cm / GP4200



Our 3d-solution exclusively for you

- 1 Download the STOBAG AR app from the Apple App Store or from Google Play.
- 2 Launch the app
- 3 Point the camera at the front of the main image and scan.
- 4 View the product in 3D



STOBAG EXCLUSIVE

The floating guide tube makes it easy to compensate for unevenness in the wall. This allows a simplified, time-saving installation and minimizes the effort for the installation work. In addition, the angle of inclination can be adjusted or corrected on site.



COLORS

Discover the diverse options when selecting frame colours.



FABRICS

Choose from a comprehensive range of materials and colours.



ELECTRICS

More convenience thanks to the automated control and lighting systems.



**WE CREATE FAVOURITE OUTDOOR PLACES
WHERE YOU WON'T CARE ABOUT THE WEATHER.**