

CASABOX



BALCONY & TERRACE

SLIM BOX AWNINGS IN AN ELEGANT DESIGN



CASABOX BX2000



Square design



Round design

- Sealed box protects from the elements
- Various mounting options to the wall, below the ceiling or to the frames
- Simple and proven installation system for hanging
- Awning incline adjustable to 90° depending on installation
- Choice of square or round drop profile
- Optional cover profile for fittings
- Optional wall joint profile prevents rain water entering between façade and awning



min. 188 cm
max. 550 cm*



min. 160 cm
max. 300 cm*

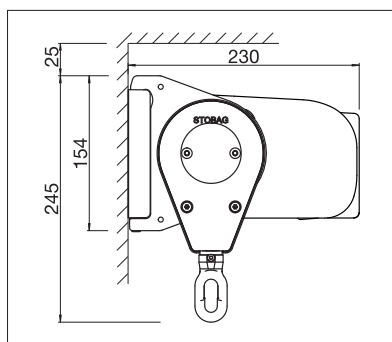
*max. 500 cm wide × 300 cm projection
*max. 550 cm wide × 250 cm projection



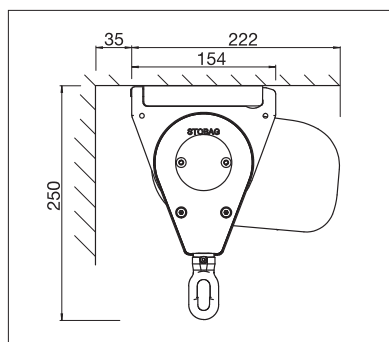
The wind resistance class can vary depending on version and dimension.



Technical dimensions in millimetres



Wall installation, square design



Top installation, round design



EN 13561



REGISTRATION
REQUIRED



COLORS

Discover the diverse options when selecting frame colours.



FABRICS

Choose from a comprehensive range of materials and colours.



ELECTRICS

More convenience thanks to the automated control and lighting systems.

More information at www.stobag.com

