

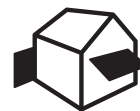


AZUR



BALCONY & TERRACE

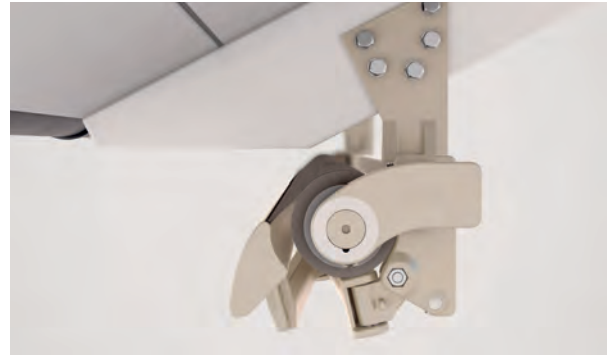
**RIGID FOLDING-ARM AWNING WITH 4-EDGE
BACK BAR**



AZUR SG2400



Wall installation with top board



Rafter fixing

- Sturdy and low cost 4-sided back bar awning
- Awning incline adjustable from 1° to 60°
- Various mounting options to the wall, below the ceiling or to the frames
- Variable bracket positioning
- Choice of different types of brackets
- Optional top board available
- Optional Valance provides additional shade and hides the awning arms from view
- Elegant and timeless design



min. 180 cm
max. 700 cm



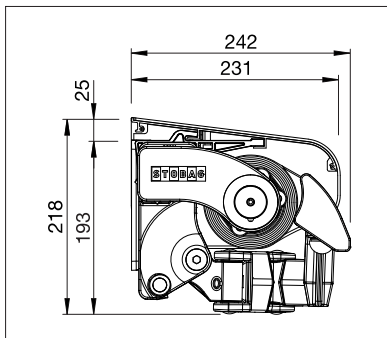
min. 150 cm
max. 300 cm



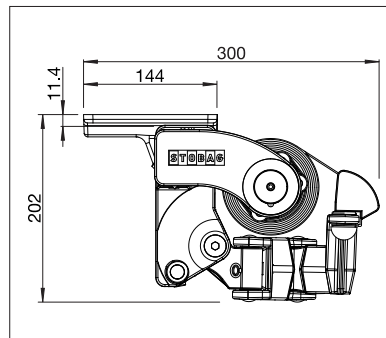
The wind resistance class can vary depending on version and dimension.



Technical dimensions in millimetres



Wall installation with top board



Top installation



REGISTRATION
REQUIRED



COLORS

Discover the diverse options when selecting frame colours.



FABRICS

Choose from a comprehensive range of materials and colours.



ELECTRICS

More convenience thanks to the automated control and lighting systems.

More information at www.stobag.com

