

NEW

ARNEX



CONSERVATORY

THE MOST EXQUISITE SHADING SYSTEM FOR
GLASS ROOFS AND CONSERVATORIES.



reddot award 2018
winner

www.stobag.com



STOBAG

ARNEX PS2500



Elegant design



Clear lines in the transition from box to front profile



Flush or indented mounting option



reddot award 2018
winner

- Under glass awning with SIR guide
- Perfect for use in combination with NYON
- Can also be used with other glass roofs
- Easy-to-install design
- Fabric is protected from rain and snow due to assembly under the glass
- Inclination 0° to 25°
- Somfy motor

Options:

- Wireless control and automatic weather protection
- Wide range of colors for frame and fabric

PS2500



min. 195 cm
max. 600 cm

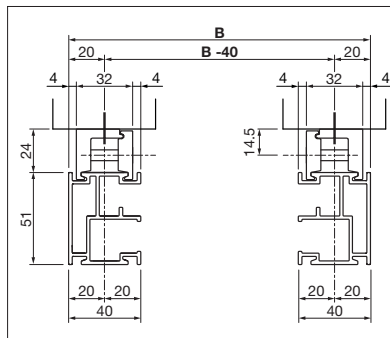


min. 100 cm
max. 450 cm

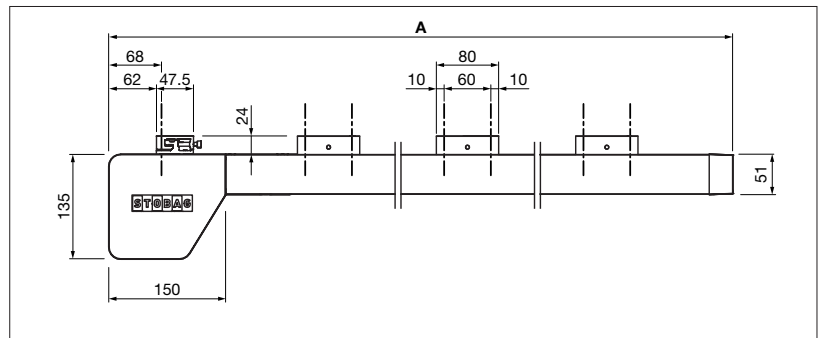


The wind resistance class may vary depending on design and dimensions. It is dependent on the shading.

Technical dimensions in millimetres



Total width



Side view

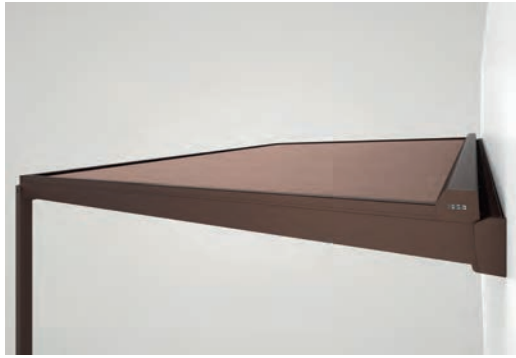


REGISTRATION REQUIRED



EN 13561

ARNEX PS8000



Beautiful and award-winning design



Different mounting variants



Ideal shading for glass roof system NYON



GERMAN
DESIGN
AWARD
WINNER
2020

- Elegant overglass awning
- Award-winning design
- Suitable for glass roofs and conservatories
- Perfect addition to the glass roof NYON and NYON PLUS
- Installation-friendly design
- Compactly integrated and minimal light gap
- Inclination from 0° to 25°

Options:

- Wireless control and automatic weather protection
- SIR guide for constant fabric tension
- Wide range of colors for frame and fabric

PS8000



min. 100 cm
max. 600 cm



min. 100 cm
max. 600 cm



CLASS
BEAUFORT 6

The wind resistance class may vary depending on design and dimensions.
It is dependent on the shading.



Our 3D-solution exclusively for you

- 1 Download the STOBAG AR app from the Apple App Store or from Google Play.
- 2 Launch the app
- 3 Point the camera at the front of the main image and scan.
- 4 View the product in 3D



COLORS

Discover the diverse options
when selecting frame colours.



FABRICS

Choose from a comprehensive
range of materials and colours.



ELECTRICS

More convenience thanks to the automated
control and lighting systems.



**EVERYONE NEEDS A FAVORITE PLACE.
CREATE YOUR OWN – WITH STOBAG.**