



Overview diagram: For electricians

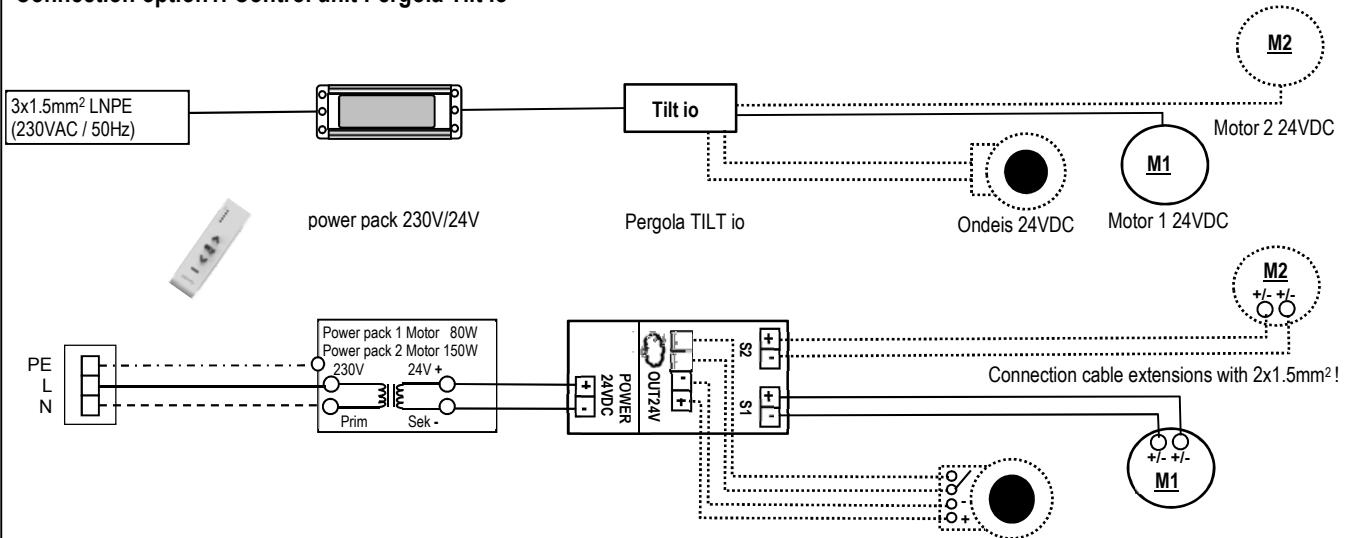
BAVONA / ASTANO Hardtop: Connection of 24VDC drive for lamella roof

* With the present document version all previous versions are no longer valid. STOBAG endeavours to continuously improve these documents. Nevertheless, no liability is accepted for any errors which may occur and the impact thereof.

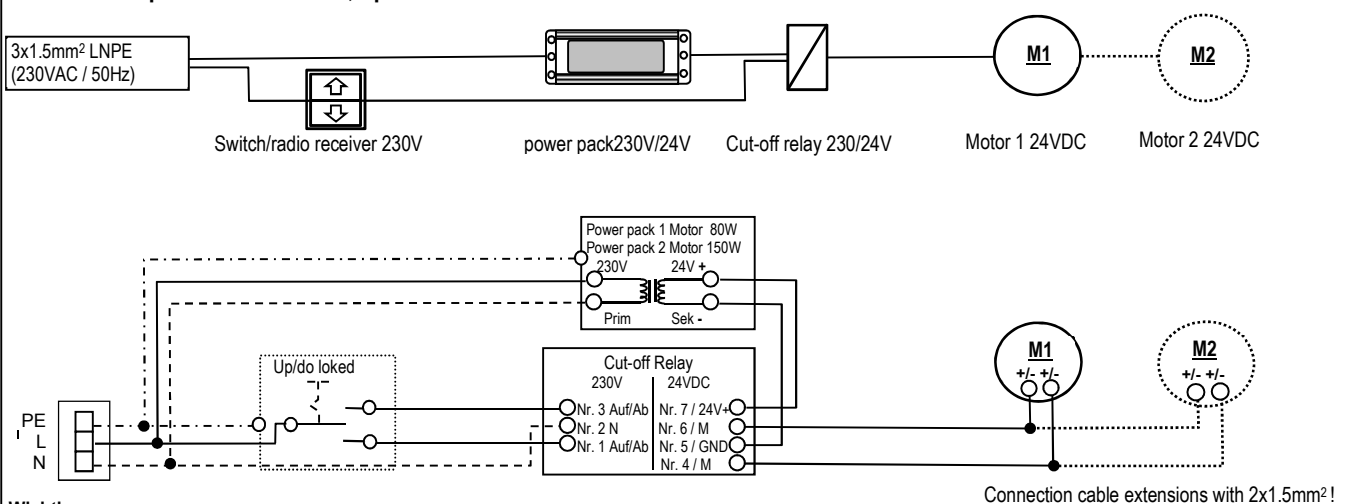
The regulations must be read prior to assembly. The information and instructions must be observed to prevent hazards and damage.

The lamellas are opened and closed via the electrical cylinder. They are easy to operate using the ext. switch or remote control.
Optional: Rain sensor (with control unit Pergola TILT io).

Connection option1: Control unit Pergola Tilt io



Connection option 2: Ext. switch, open/closed



Wichtig:

- For 1 drive, 80W power pack, for 2 drives, parallel 150W power pack required
- Observe open/closed rotational direction in connection with sensors. Wind protection!

Safety instructions:



- Check the unit for any damage as soon as it is unpacked.
- If it is ascertained that safe operation cannot be guaranteed it must be taken out of service immediately and secured from unintentional operation.
- The electric installation on site must be undertaken by authorized electricians.
- Make the electric connections in such a way that they are always **accessible and can be switched off**.
- Wiring work must be performed with the power disconnected.
- The stipulated protection class is guaranteed only for intact and complete housings.
- Operation only with a downstream ground fault circuit interrupter, max. 30mA Type A.
- Local regulations must be observed.
- Any disposal must be performed according to the applicable legal provisions.