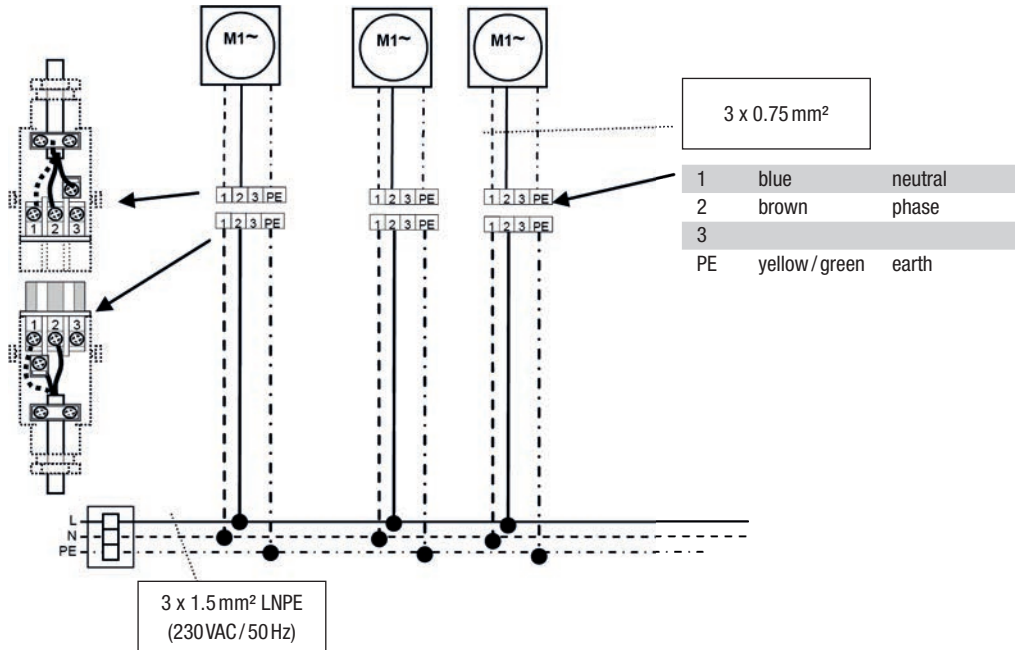


Connection Somfy engines

Somfy Orea RTS | Somfy Sunea io

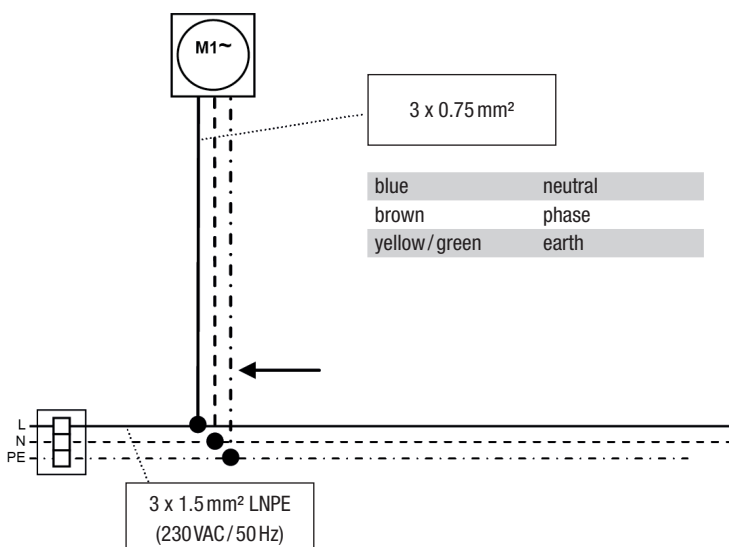
Somfy Orea RTS | Somfy Sunea io

Pin connection with Hirschmann STAK – STAS3



Somfy Orea RTS | Somfy Sunea io

Pin connection without Hirschmann STAK – STAS3

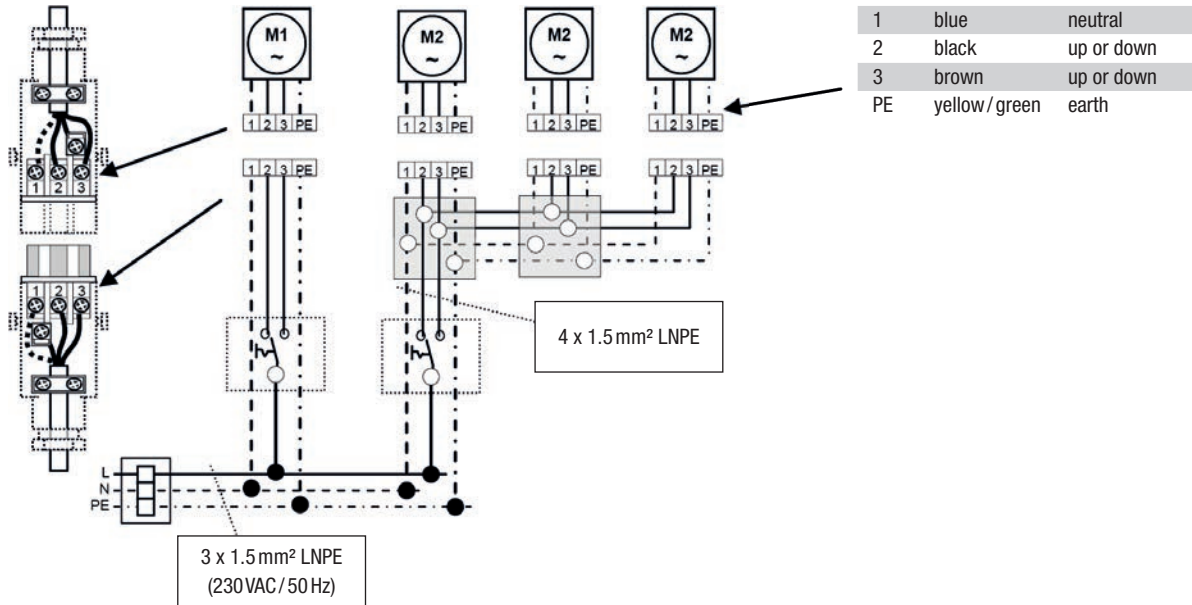


Connection Somfy engines

Somfy Orea WT | Somfy LT

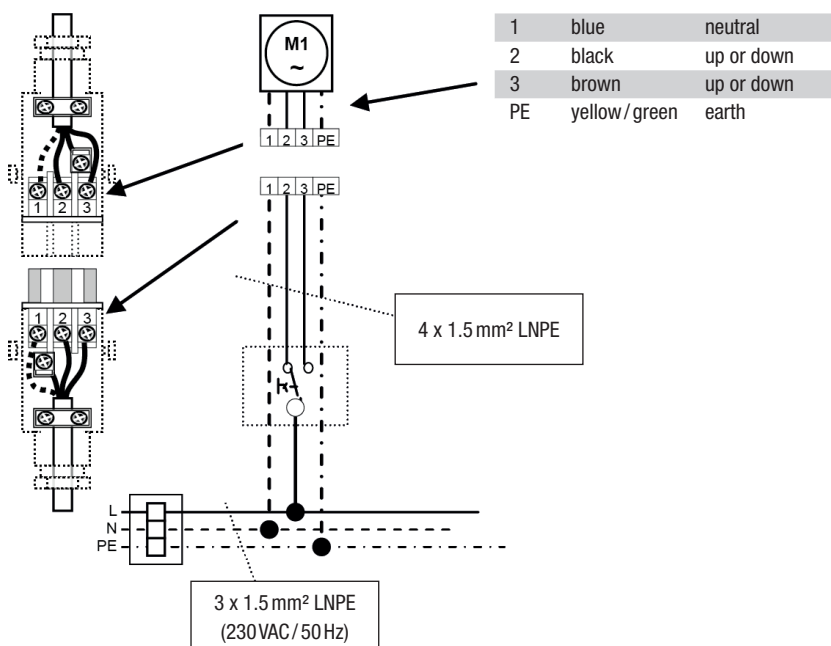
Somfy Orea WT

Pin connection with Hirschmann STAK – STAS3 / max. 3 motor in parallel



Somfy LT

Pin connection with Hirschmann STAK – STAS3



Connection Somfy engines

Safety instructions



- If it is ascertained that safe operation cannot be guaranteed it must be taken out of service immediately and secured from unintentional operation.
- The electric installation on site must be undertaken by authorized electricians.
- Set up electric connections in such a way that they are always **accessible and can be switched off**.
- Wiring work must be performed with the power disconnected.
- The stipulated protection class is only featured for undamaged and complete housing.
- Local regulations must be observed.