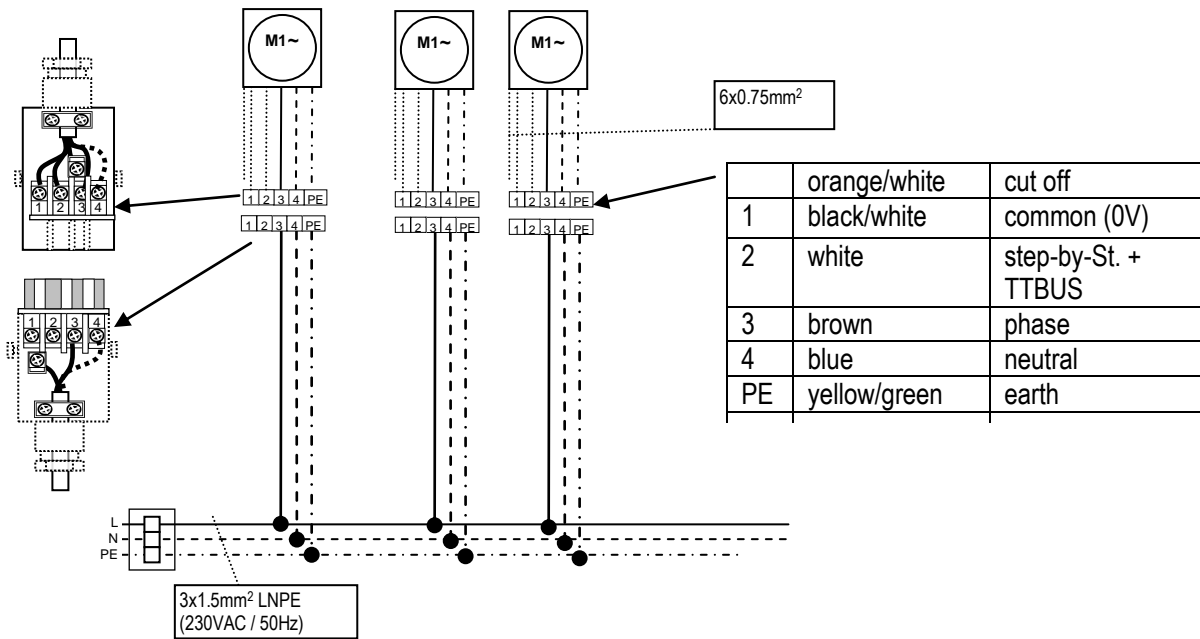


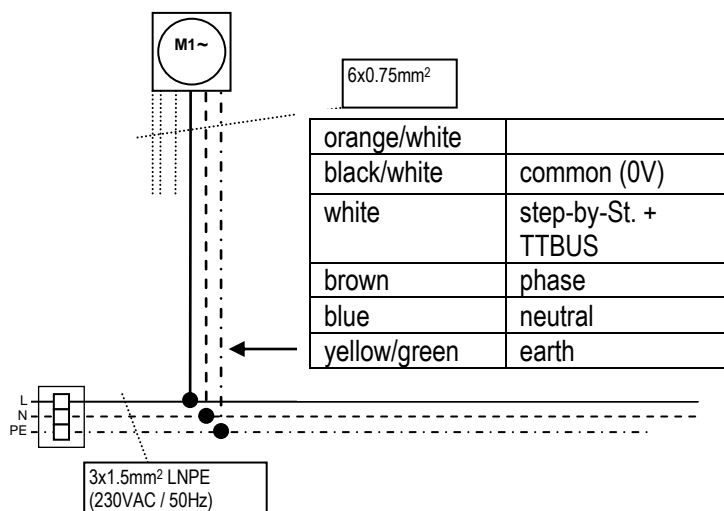
Connection Era engines

Era Mat T

pin connection with Hirschmann STAK - STAS4

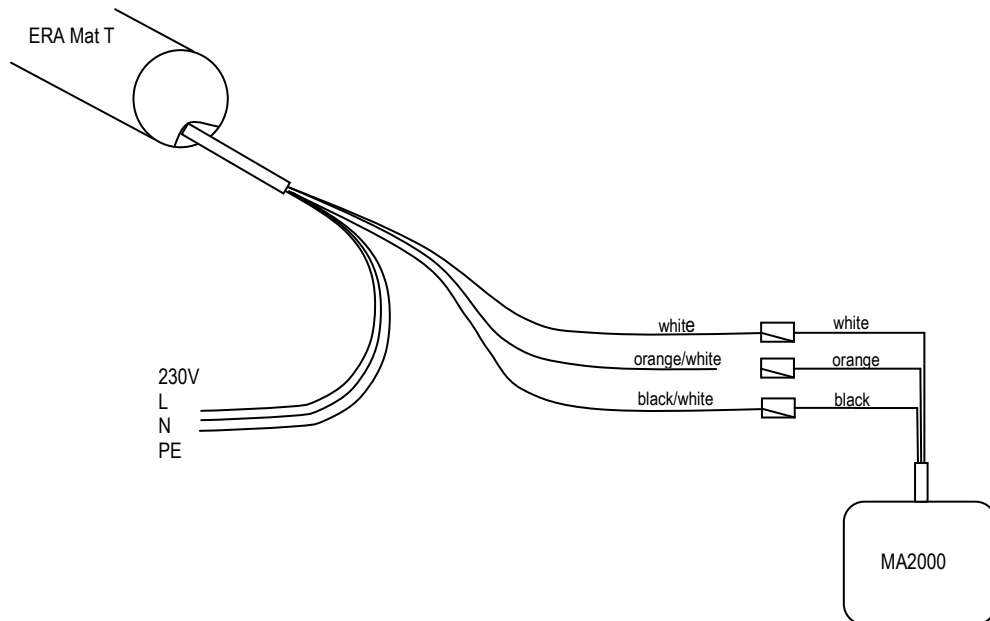


pin connection without Hirschmann STAK - STAS4



To change without notice [c] STOBAG

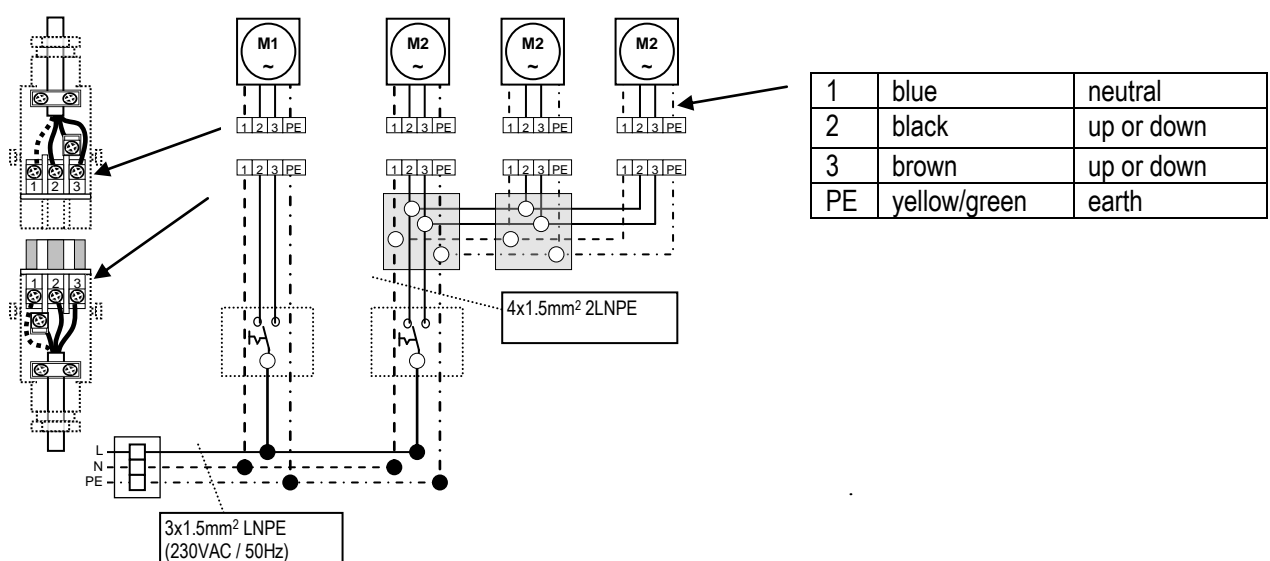
Connection MA2000



Era Star T

pin assignment with STAK – STAS 3 Hirschmann

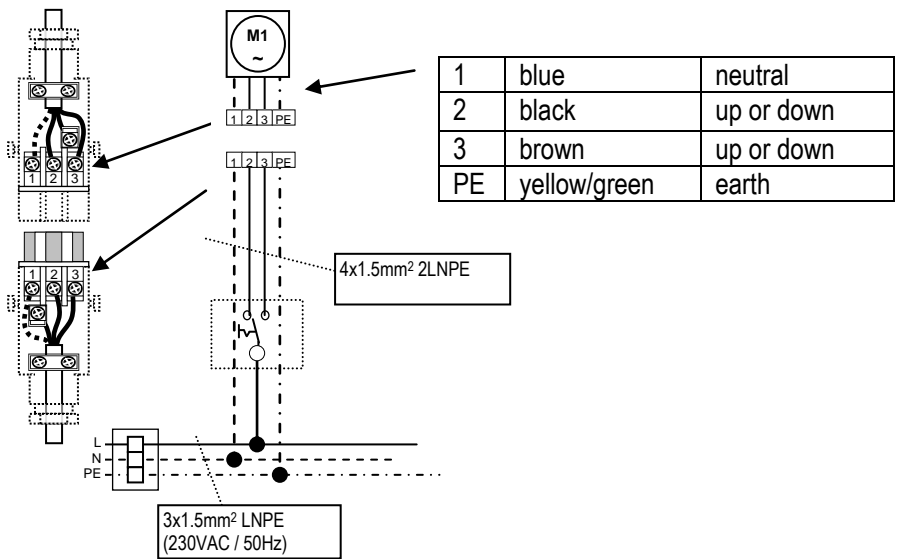
max. 3 Era Star T parallel / en max. 3 moteurs en parallèle /
max. 3 motors in parallel



To change without notice [c] STOBAG

Era M

pin assignment with STAK – STAS 3 Hirschmann



Safety instructions:



- If it is ascertained that safe operation cannot be guaranteed it must be taken out of service immediately and secured from unintentional operation.
- The electric installation on site must be undertaken by authorized electricians.
- Set up electric connections in such a way that they are always **accessible and can be switched off**.
- Wiring work must be performed with the power disconnected.
- The stipulated protection class is only featured for undamaged and complete housing.
- Local regulations must be observed.

To change without notice [c] STOBAG