



# Overview diagram: For electricians

## LED lighting system for TERRADO and ALFRESCO



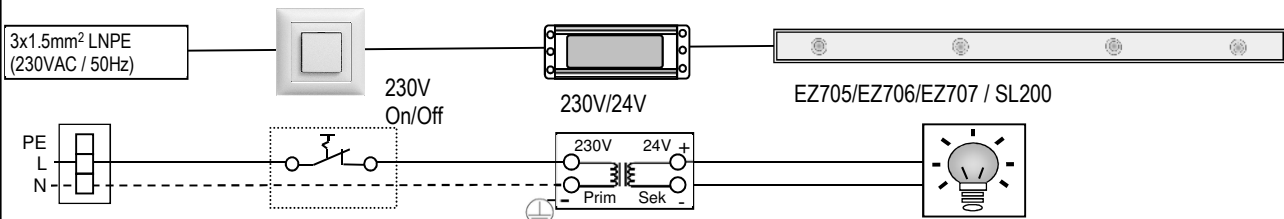
Premium Swiss Quality

\*With the present document version all previous versions are no longer valid. STOBAG endeavours to continuously improve these documents. Nevertheless, no liability is accepted for any errors which may occur and the impact thereof.

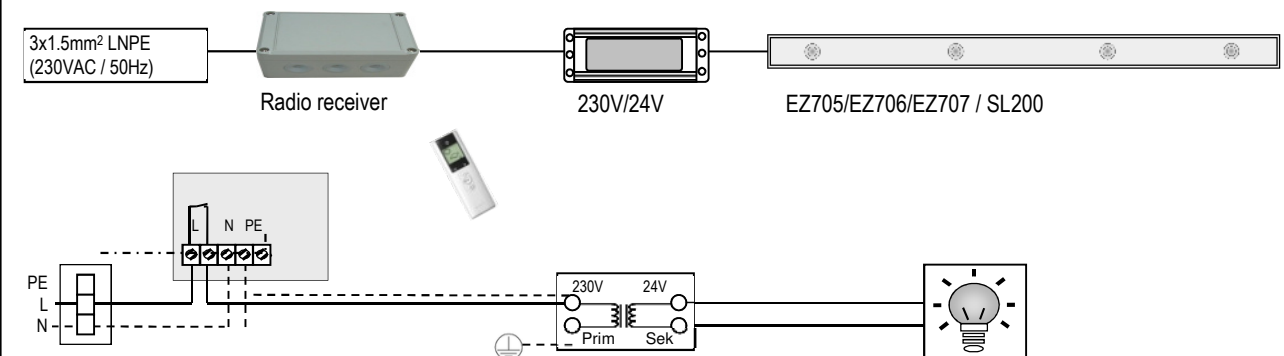
**The regulations must be read prior to assembly. The information and instructions must be observed to prevent hazards and damage.**

The extremely energy-efficient LED lighting is impressive because of its high luminous efficiency. LED lighting can be switched on and off using a light switch or a radio receiver. By using the optional dimmer with a 1-10V interface, the LED lighting can be infinitely dimmed using a rotary dimmer for example.

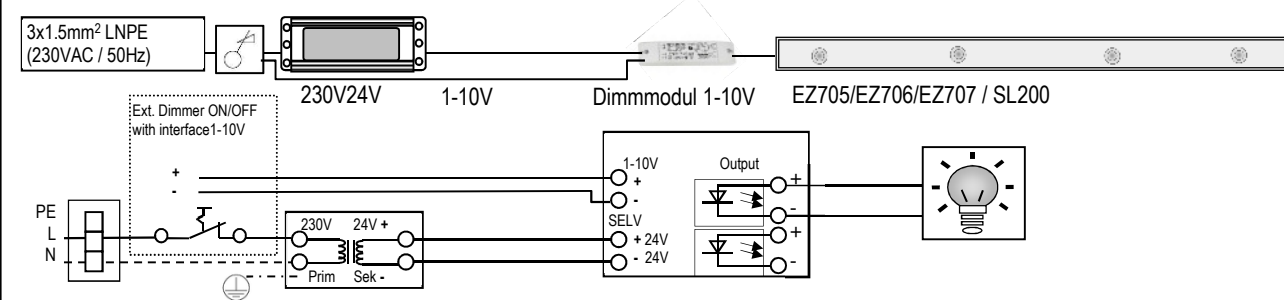
### Connection option 1: Ext. ON/OFF switch



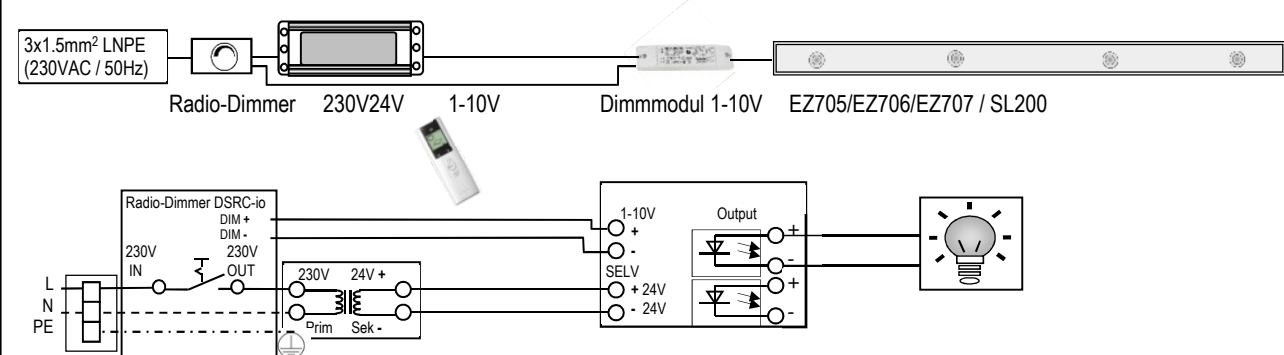
### Connection option 2: Radio DSRC / RTS / io ON/OFF



### Connection option 3: Ext. Dimmer 1-10V



### Connection option 4: Radio-Dimmer DSRC / io 1-10V



**Important:** - A max. of 1 network unit or network device may be connected per radio receiver.  
- Connection power mains unit or power supply Note!

Safety instructions: see back page

## Safety instructions:



- Immediately after unpacking the lighting check for any damage.
- If it is ascertained that safe operation cannot be guaranteed it must be taken out of service immediately and secured from unintentional operation.
- The electric installation on site must be undertaken by authorized electricians.
- Set up electric connections in such a way that they are always **accessible and can be switched off**.
- Wiring work must be performed with the power disconnected.
- The stipulated protection class is only featured for undamaged and complete housing.
- Local regulations must be observed.
- Any disposal must be performed according to the applicable legal provisions.