



Overview diagram: For electricians



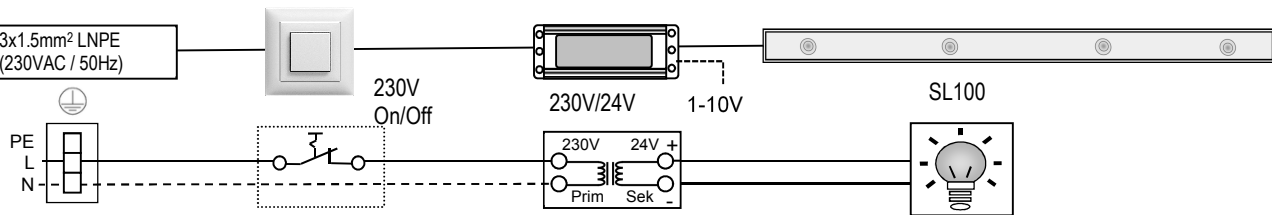
LED lighting system for ARDON

*With the present document version all previous versions are no longer valid. STOBAG endeavors to continuously improve these documents. Nevertheless, no liability is accepted for any errors which may occur and the impact there of

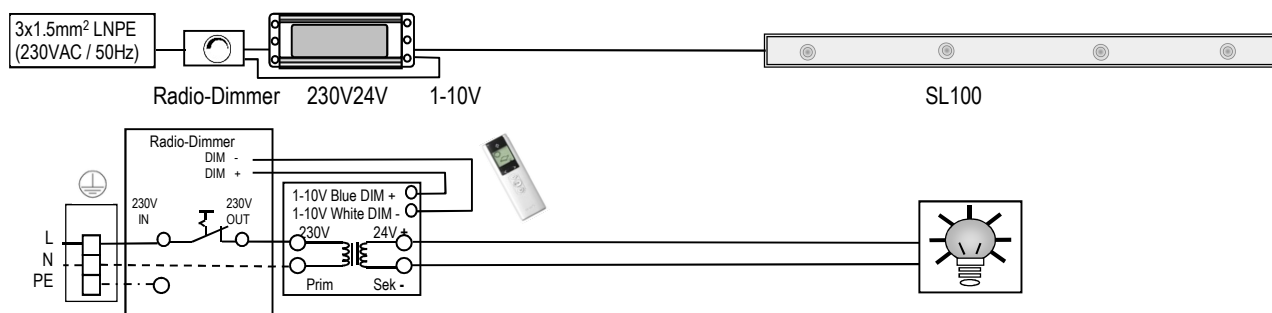
The regulations must be read prior to assembly. The information and instructions must be observed to prevent hazards and damage.

The extremely energy-efficient LED lighting is impressive because of its high luminous efficiency. LED lighting can be switched on and off using a light switch or a radio receiver. By using the optional dimmer with a 1-10V interface, the LED lighting can be infinitely dimmed. The RGBW lighting; A hand-held transmitter is used to control the ambient lighting, also optionally via an app.

Connection option 1: Ext. ON/OFF switch LED white

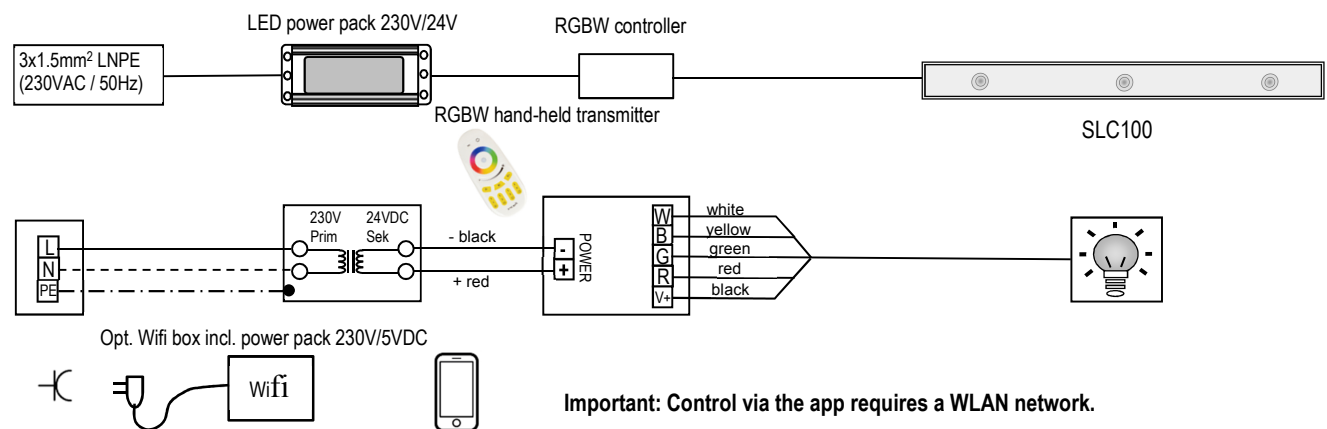


Connection option 2: Radio-Dimmer io 1-10V LED white



Important: A max. of 1 network unit or network device may be connected per radio receiver.

Connection option 3: Radio-LED RGBW



Important: Control via the app requires a WLAN network.

Safety instructions:



- Immediately after unpacking the lighting check for any damage.
- If it is ascertained that safe operation cannot be guaranteed it must be taken out of service immediately and secured from unintentional operation.
- The electric installation on site must be undertaken by authorized electricians.
- Set up electric connections in such a way that they are always **accessible and can be switched off**.
- Operation only with a downstream ground fault circuit interrupter, max. 30mA Type A.
- Wiring work must be performed with the power disconnected.
- The stipulated protection class is only featured for undamaged and complete housing.
- Local regulations must be observed.
- Any disposal must be performed according to the applicable legal provisions.