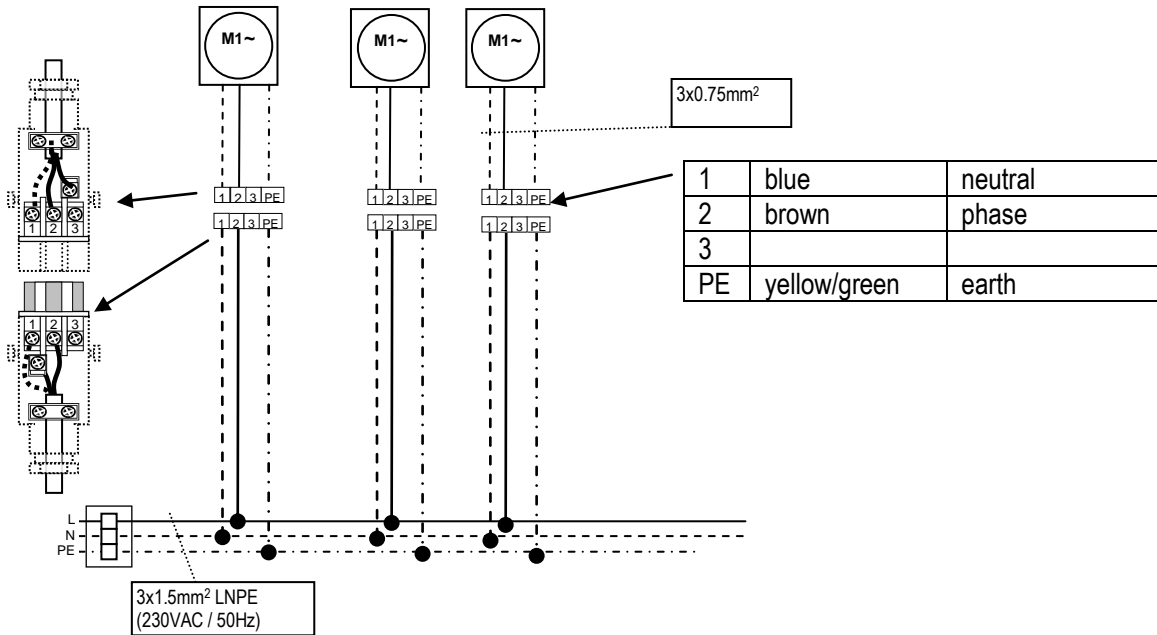


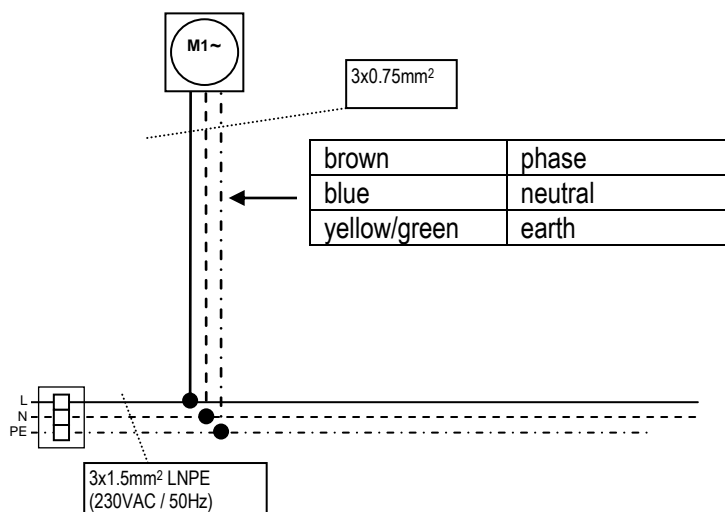
## Connection Somfy engines

**Somfy Orea RTS**  
**Somfy Sunea io**

### pin connection with Hirschmann STAK – STAS3



### pin connection without Hirschmann STAK – STAS3

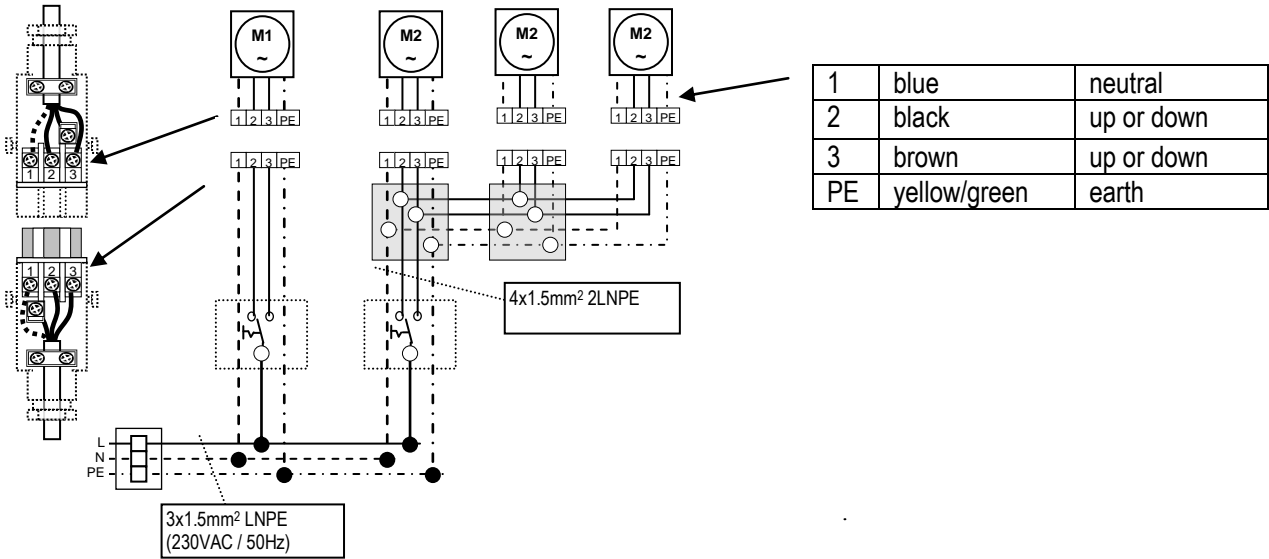


To change without notice [c] STOBAG

**Somfy Orea WT**

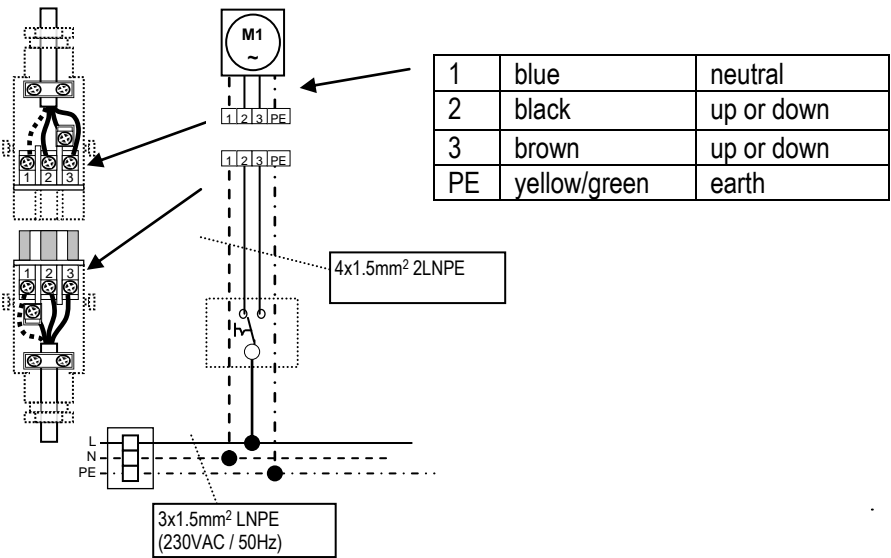
pin assignment with STAK – STAS 3 Hirschmann

max. 3 Orea WT parallel / en max. 3 moteurs en parallèle / max. 3 motors in parallel



**Somfy Orea LT**

pin assignment with STAK – STAS 3 Hirschmann



To change without notice [c] STOBAG

## Safety instructions:



- If it is ascertained that safe operation cannot be guaranteed it must be taken out of service immediately and secured from unintentional operation.
- The electric installation on site must be undertaken by authorized electricians.
- Set up electric connections in such a way that they are always **accessible and can be switched off**.
- Wiring work must be performed with the power disconnected.
- The stipulated protection class is only featured for undamaged and complete housing.
- Local regulations must be observed.