



# TARGA PS6000

## Conservatory awning with motor

### PS6000



	min. 85 cm *max. 600/700 cm		min. 110 cm **max. 600/700 cm
--	--------------------------------	--	----------------------------------

\* with two guide rails (max. 36m<sup>2</sup>)

\*\* with three guide rails (max. 49m<sup>2</sup>)

### Description

Awning for conservatories with motor drive. Fabric cover. Retraction and extension of the awning with tubular AC motor 230V/50Hz with friction brake and electronic end stop. Thermal protection. Protection class IP54 (splash water), with 150cm 4-pole connection cable. Box: Extruded aluminium profile, in one piece, rounded execution, as a construction support element with profile groove for the guide rail fixations. Side cap made of aluminium casting to hold the roller bearing or the motor bearing. Roller made of galvanised steel with groove for the cover. End rail made of extruded aluminium chamber profile with groove for the cover and the runner for the push and pull mechanism. With rolled in front rail, the box is completely closed. Guide rails made of extruded aluminium profiles, with grooves for the PVC glider, hollow chamber for the integrated gas-filled strut mechanism and stainless steel cable traction system for the transportation of the cover, and groove for the fixation support. The installation with a max. lateral overhang of 100cm (left and right each) can be adjusted according to the frame work. Guide rail fixation supports made of aluminium casting. All visible screws in stainless steel.

Awnings with an extension of more than 300 cm are fitted with one guiding roller profile and more than 500cm with two, including support sets for guiding roller profiles for the cover supports. Guiding roller profile is round extruded aluminium, guide rail fixings are cast aluminium alloy.

#### Option:

Motor drive E radio

#### Option:

with 3 guides up to 700cm total width / 700cm extension (maximum 49m<sup>2</sup>)

### METHOD OF DELIVERY

Awning completely assembled in box, with cover. Guide rails separately.



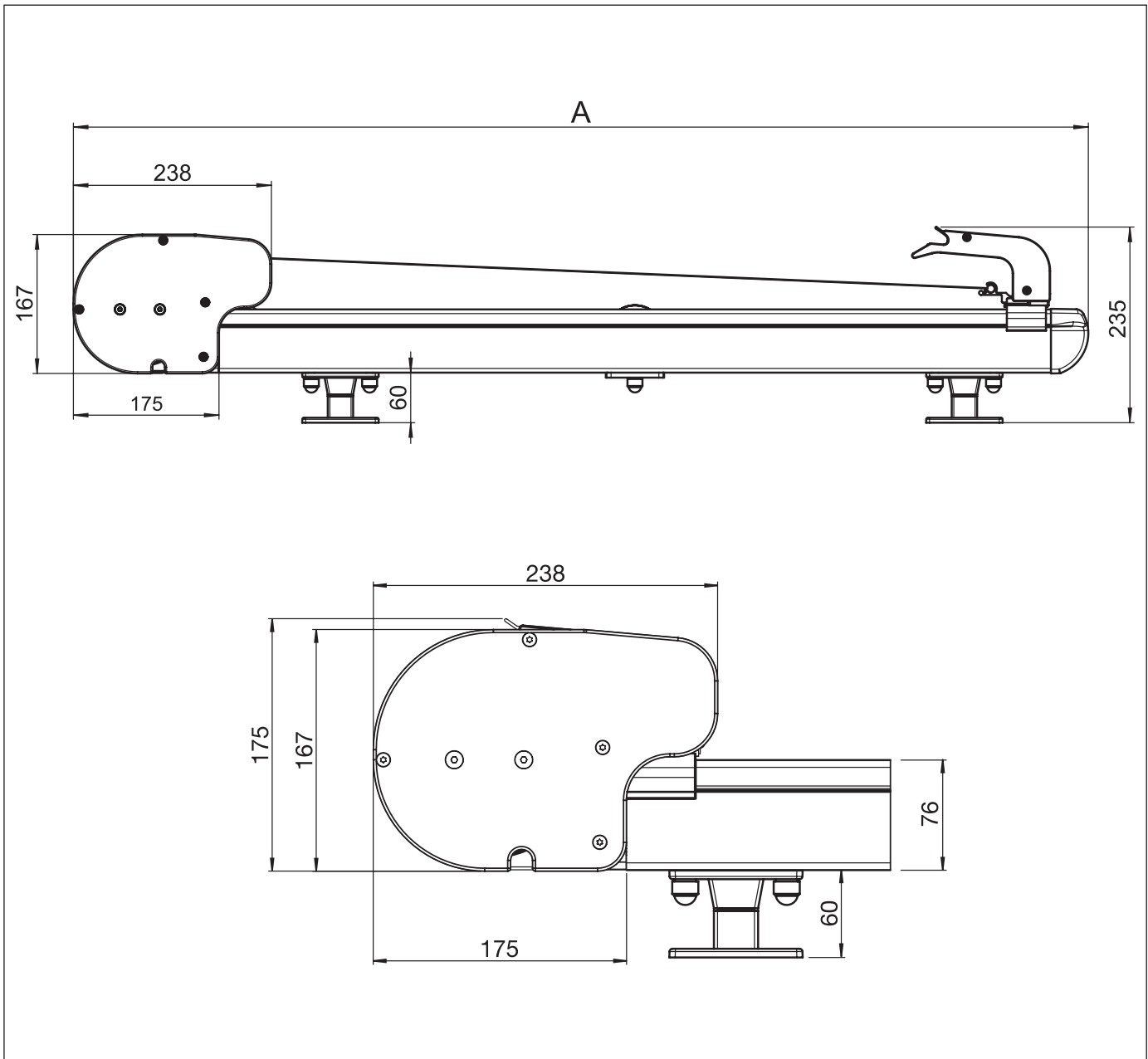


# TARGA PS6000

Conservatory awning with motor

PS6000

Conservatory installation



**A** = Projection

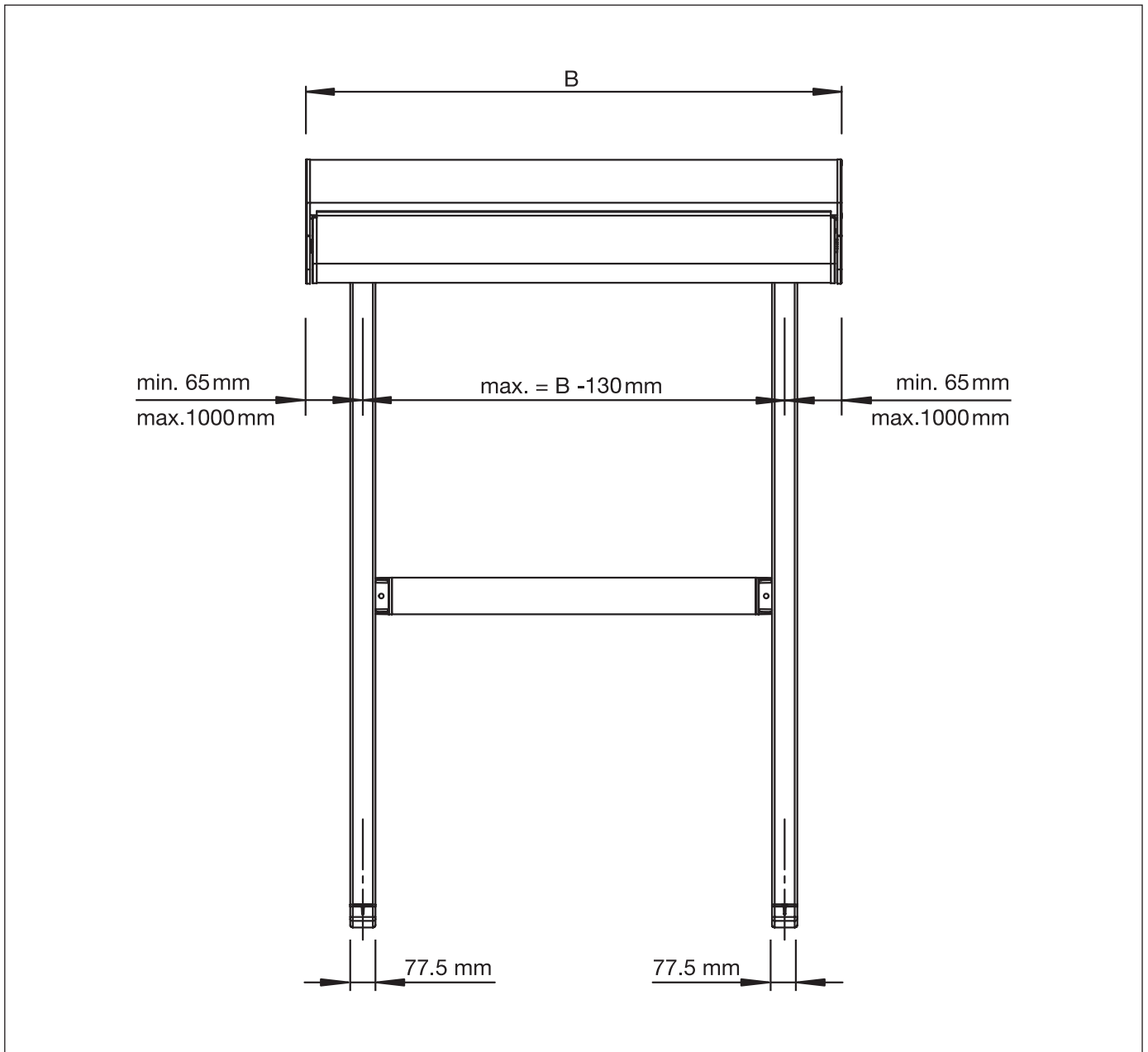


# TARGA PS6000

Conservatory awning with motor

PS6000

Installation drawing



**B** = Total width