




# SELECT-PLUS S8133

## Folding crossover arm awning with mounting bar

### S8133



	min. 115 cm max. 775 cm		min. 150 cm max. 350 cm
---	----------------------------	---	----------------------------

	0° – 60° wall fixing 0° – 60° top fixing 0° – 60° rafter installation
---	---

#### Minimal width for a given projection

Projection	Minimal width 2 arms	4 arms
150cm	115	
<b>180cm</b>	<b>130</b>	
200cm	140	
<b>225cm</b>	<b>155</b>	
250cm	170	
<b>275cm</b>	<b>185</b>	<b>475</b>
300cm	200	500
<b>325cm</b>	<b>215</b>	<b>525</b>
350cm	225	600

### Description

Folding arm awning with operating handle. Fabric cover. Retraction and extension with detachable operating handle. Bevel gearbox with gearbox reduction 4,5:1 and integrated end stop, free wheel operating handle ring incl. spring roller tube gudgeon, with octagonal pin for smooth permanent cover tension. Roller tube made of galvanised steel with groove for the cover fixation. Continuous triangular steel mounting bar, protected against corrosion, powder coated, to hold the arm fixations, brackets, bearing for gearbox and opposite side and roller tube support. Front rail made of extruded multiple chamber aluminium profile with rainwater nose, grooves for the cover and the valance and fixation groove for the folding arms, with end caps. Folding arms made of extruded aluminium profiles, with precision joints made of aluminium casting. Integrated spring and double stainless steel cables, cable protection sleeves over the middle joint. Right folding arm with shouldered joint fork for installation extension on the arm support and distance piece for the front rail for the cross over extension and retraction mechanism. Arm supports made of aluminium casting with integrated knock-up security. Fall adjustment by octagonal screw from horizontal up to max. 60°. Installation brackets made of aluminium casting for wall or top fixing (option: brackets for rafters). Total width more than 601cm: according to the fall adjustable roller tube support made of aluminium casting with plastic rolls and continuous roller tube band.

Operating handle powder coated matching the standard colours, with hook and plastic handle.

**Option electric drive:** Tubular AC motor 230V/50Hz with friction brake and electronic end stop. Thermal protection. Protection class IP54 (splash water), with 50-150cm 4-pole connection cable.

### METHOD OF DELIVERY

Awnings completely assembled with cover



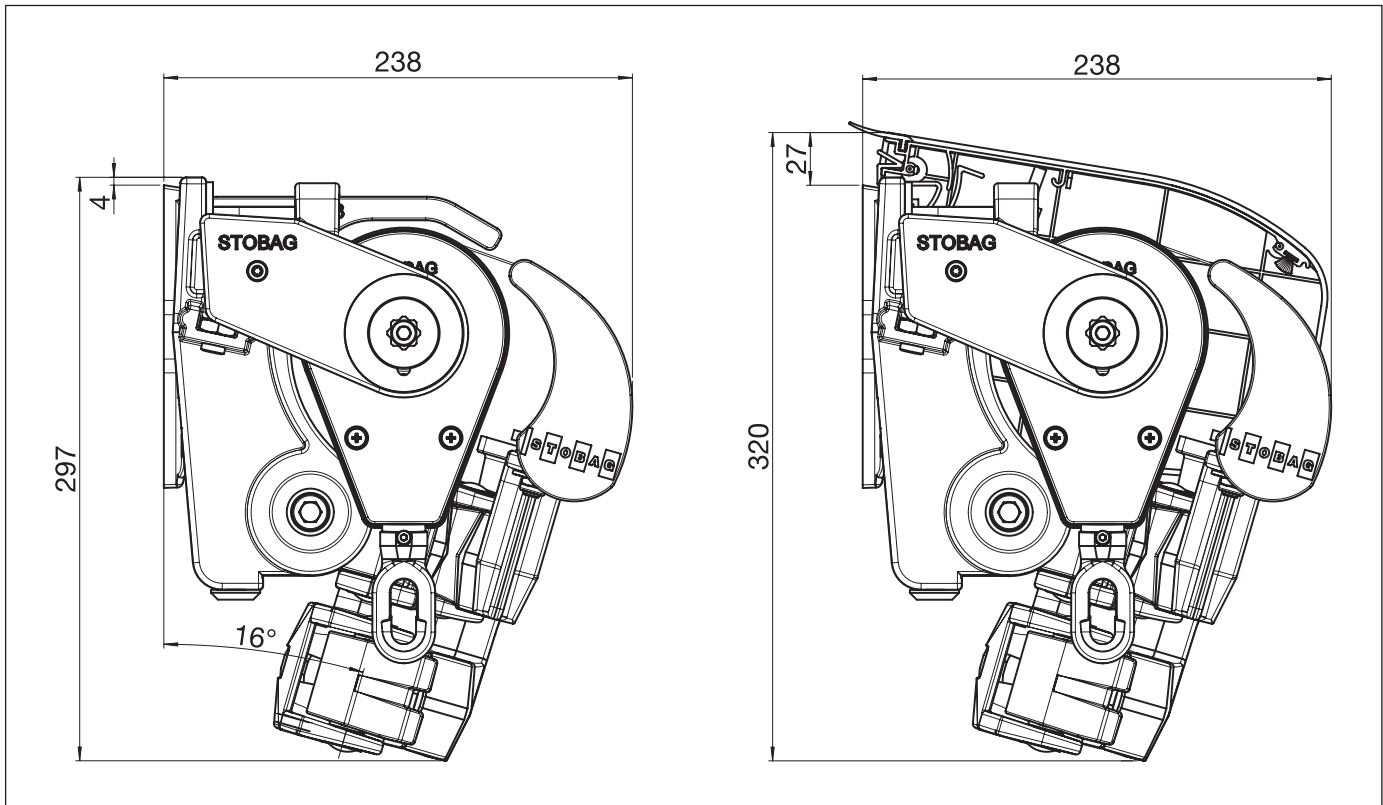


# SELECT-PLUS S8133

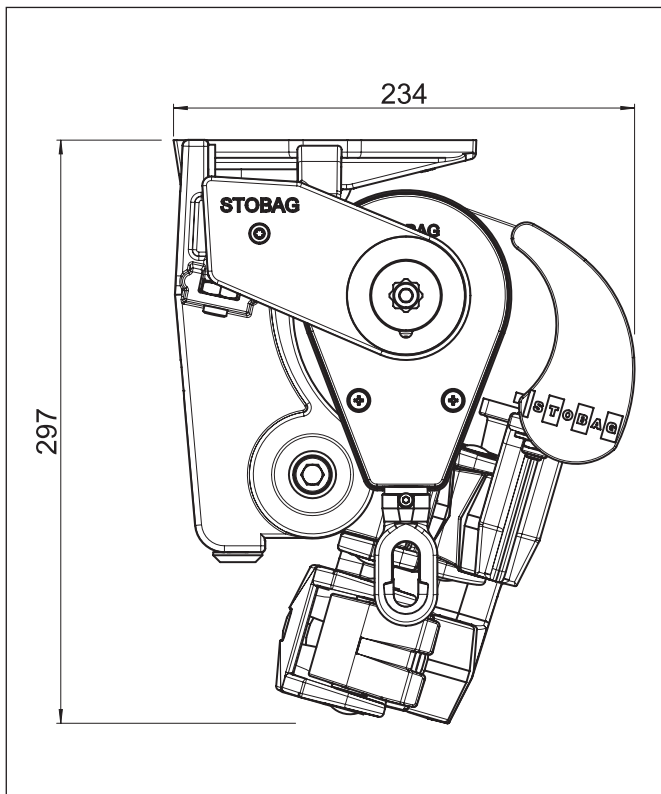
Folding crossover arm awning with mounting bar

## S8133

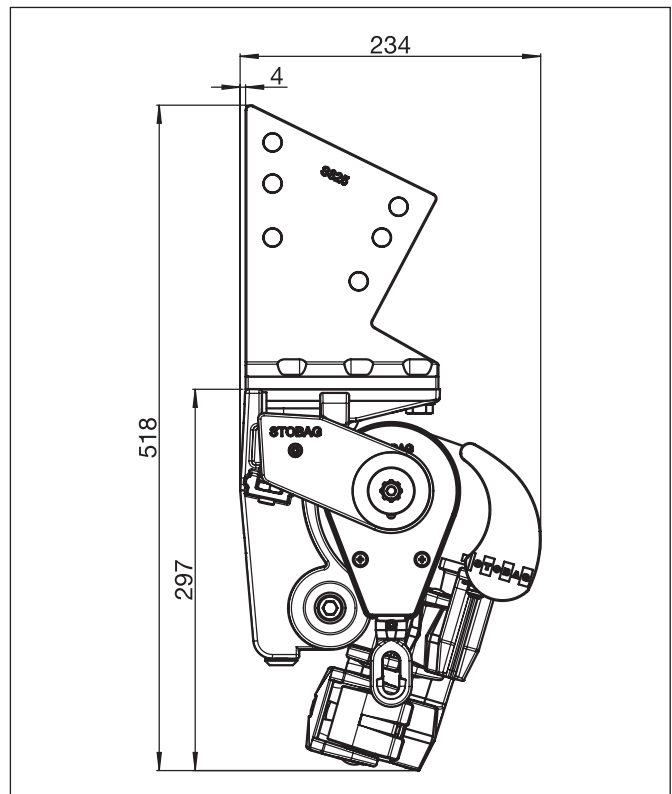
## Wall fixing



## Top fixing



## Rafter installation



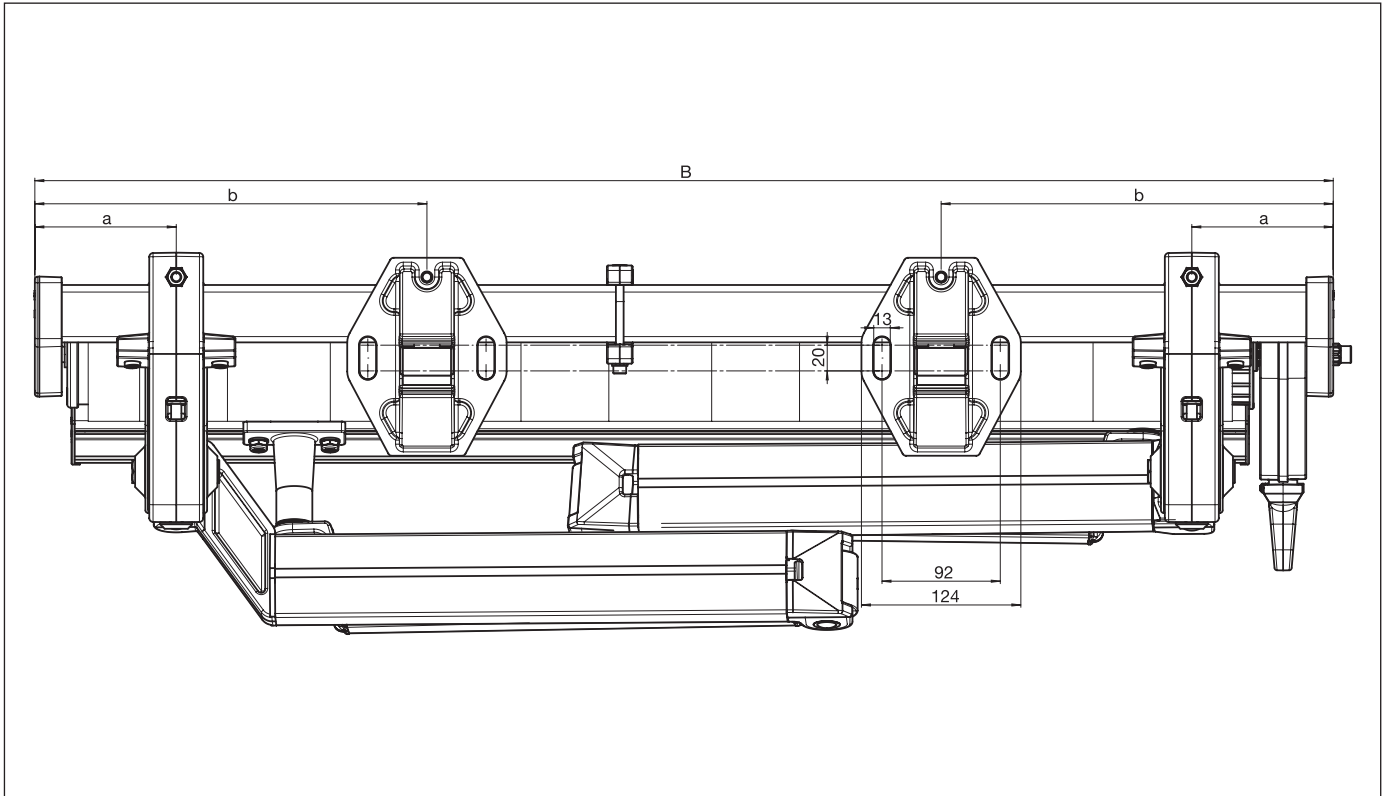


# SELECT-PLUS S8133

Folding crossover arm awning with mounting bar

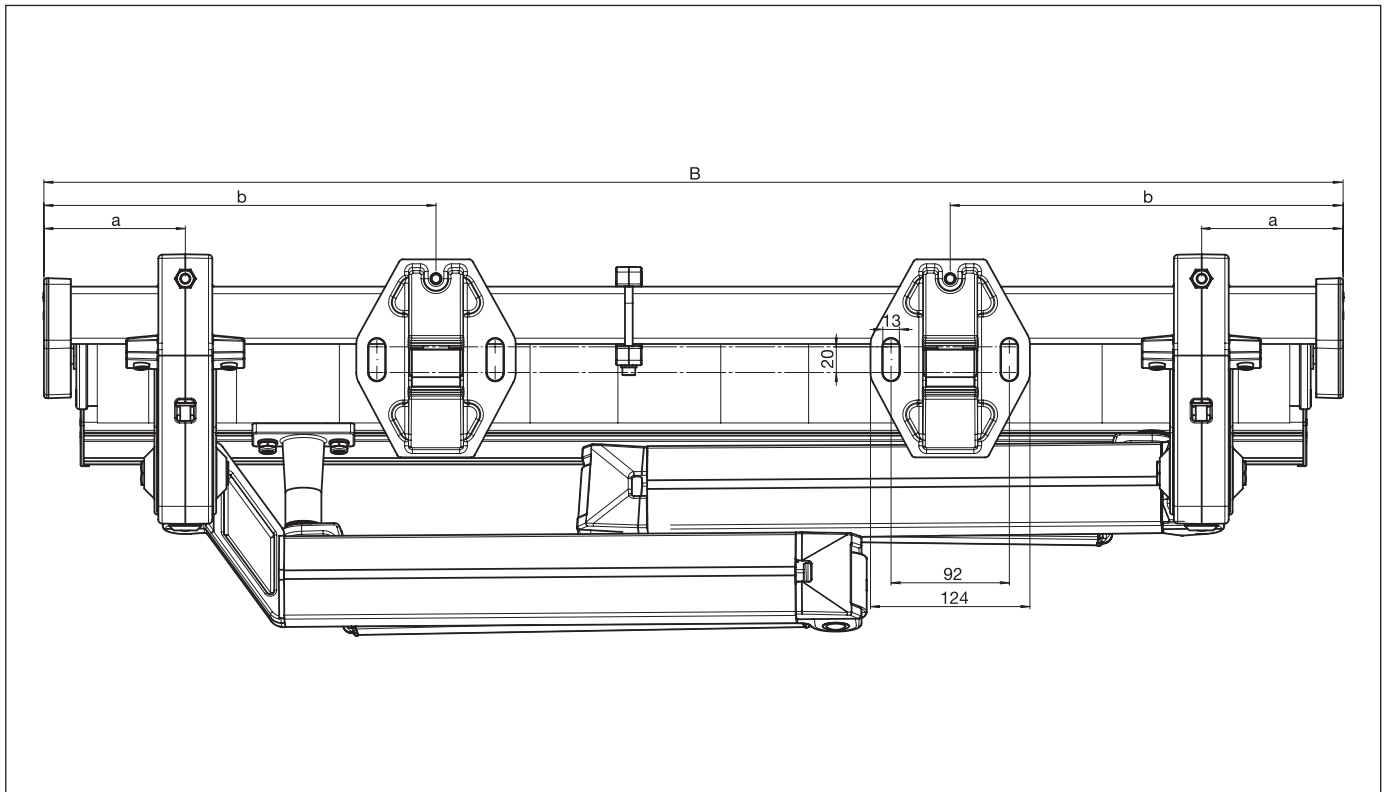
S8133

Installation drawing with gearbox



S8133

Installation drawing with motor drive



B = Total width