



SELECT-BOX S8250

Cassette awning with folding arms

S8250



	min. 170 cm max. 600 cm		min. 140 cm max. 350 cm
--	----------------------------	--	----------------------------

	5° – 60° Wall fixing 5° – 60° Top fixing 5° – 60° Rafter installation
--	---

Minimal width for a given projection

Projection	Minimal width
140cm	170
150cm	180
160cm	190
180cm	210
200cm	230
225cm	260
250cm	290
275cm	320
300cm	350
325cm	380
350cm	400

Description

Cassette awning with operating handle. Fabric cover. Retraction and extension with detachable operating handle. Bevel gearbox with gear-box reduction 4,5:1 and integrated end stop, free wheel operating handle ring incl. spring roller tube gudgeon, with octagonal pin for smooth permanent cover tension. Roller tube made of galvanised steel with groove for the cover fixation. Continuous triangular steel mounting bar, protected against corrosion, powder coated, to hold the arm fixations, brackets, bearing for gearbox and opposite side. Cassette: adjustable extruded aluminium profile with stop screw. Box to protect the cover in C-shape one piece. With side caps and box fixation of aluminium casting. Front cover as front rail with perfect suitability to the box profile. Front rail made of extruded multiple chamber aluminium profile, grooves for the cover and the valance. Fixation chamber for the folding arms and side caps. When retracted the front rail closes the box tightly. Folding arms made of extruded aluminium profiles, with precision joints made of aluminium casting. Integrated spring and double stainless steel cables, cable protection with sleeves over the middle joint. Arm supports made of aluminium casting with integrated knock-up security. Fall adjustment by octagonal screw from horizontal up to max. 50°. Installation brackets made of aluminium casting for wall or top fixing (option: brackets for rafters).

Operating handle powder coated matching the standard colours, with hook and plastic handle.

Option electric drive: Tubular AC motor 230V/50Hz with friction brake and electronic end stop. Thermal protection. Protection class IP54 (splash water), with 50-150cm 4-pole connection cable.

METHOD OF DELIVERY

Awnings completely assembled, with cover.



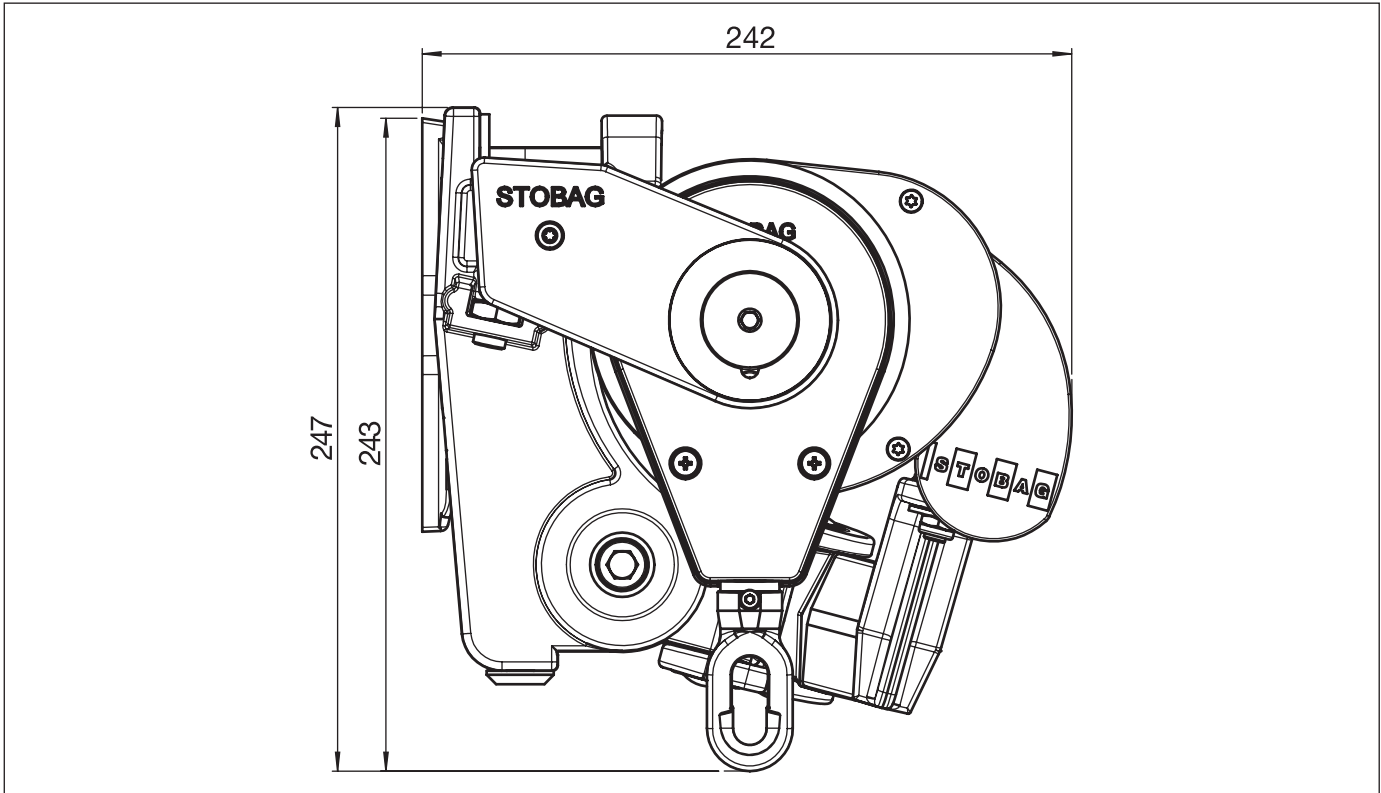


SELECT-BOX S8250

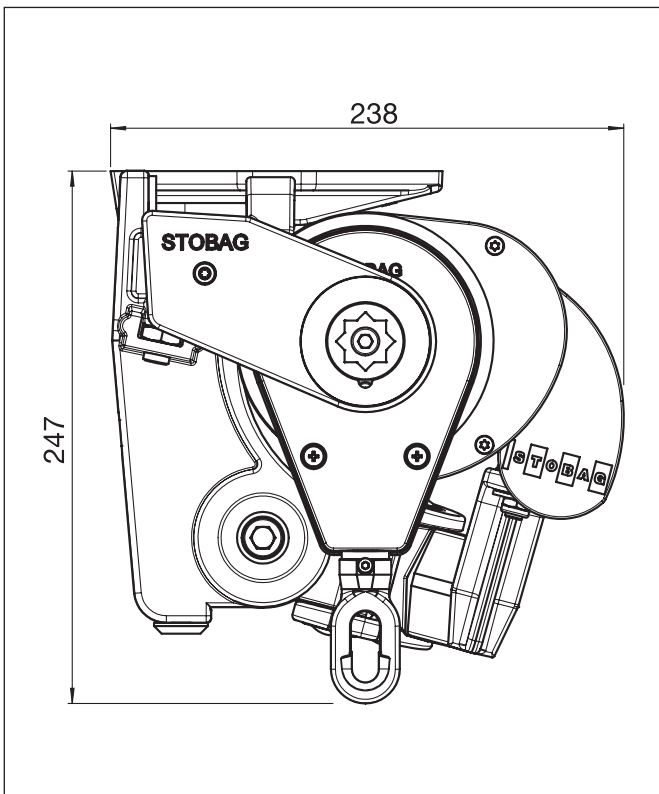
Cassette awning with folding arms

S7170

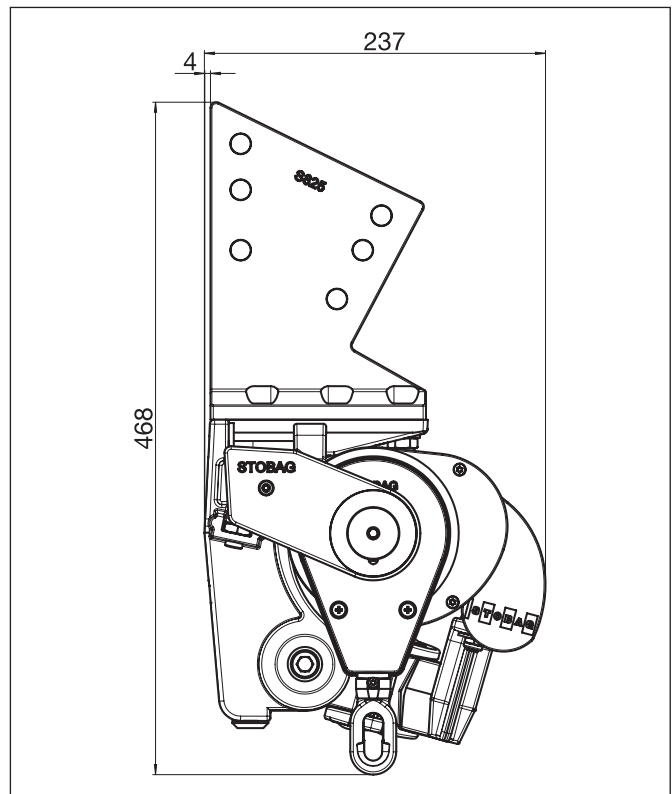
Wall fixing



Top fixing



Rafter installation



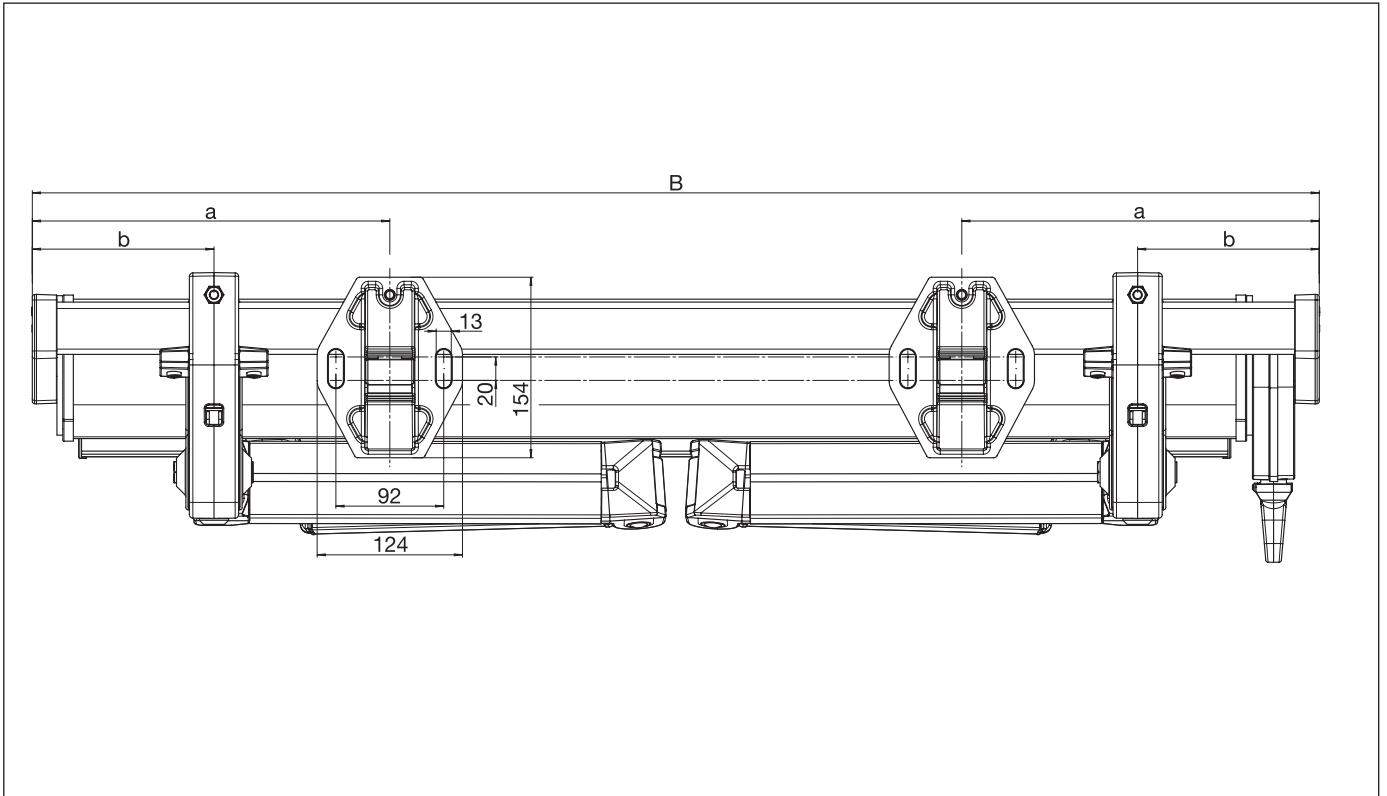


SELECT-BOX S8250

Cassette awning with folding arms

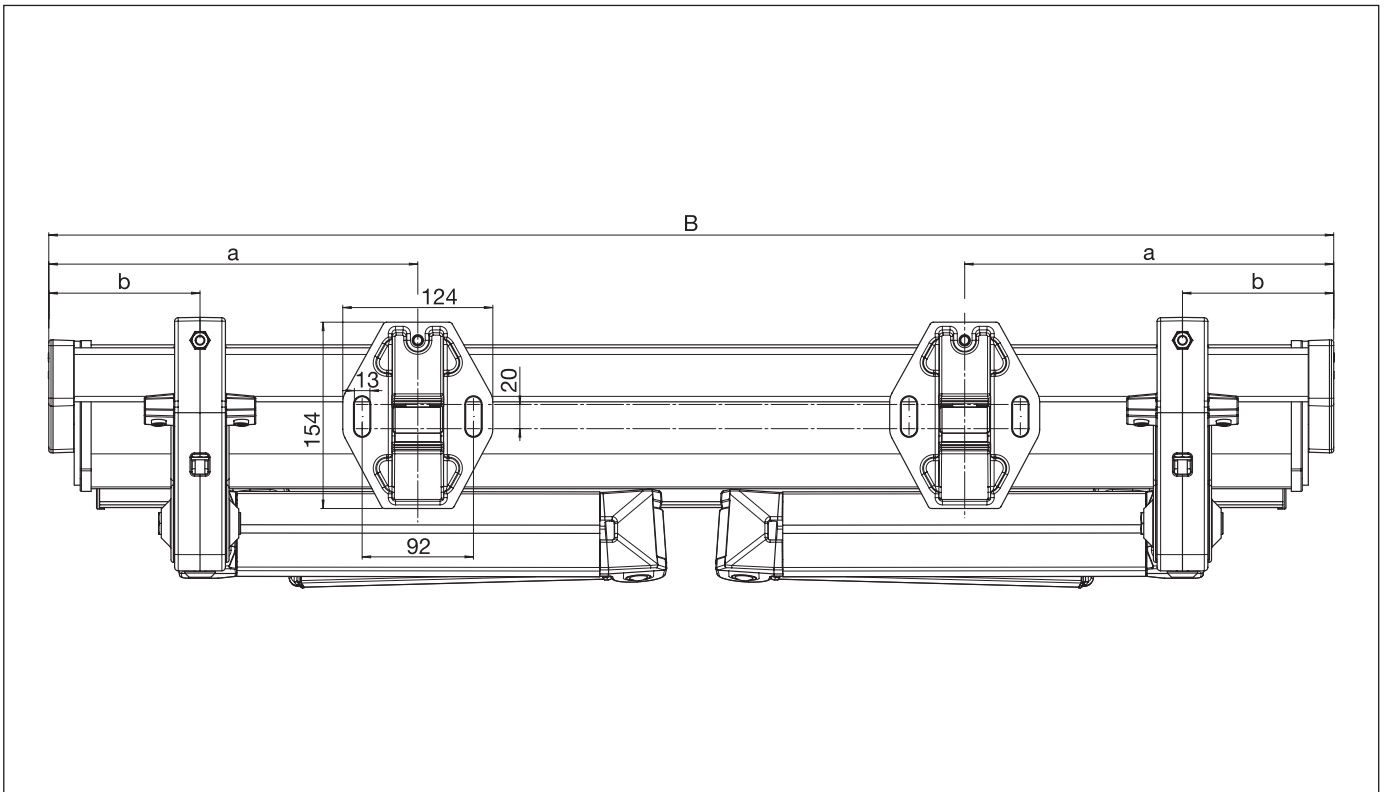
S8250

Installation drawing with gearbox



S8250

Installation drawing with motor



B = total width