



SELECT-BETA S8180

Folding arm awning with mounting bar and 2nd incline

S8180



min. 250 cm
max. 600 cm



min. 235 cm
max. 310 cm



0° – 60° (rear)
30° (front, not adjustable)

Minimal width for a given projection

Projection	minimal width	rear arms
235cm	250	150
265cm	275	180
285cm	300	200
310cm	325	225

Description

Folding arm awning with operating handle. Fabric cover. Retraction and extension with detachable operating handle. Bevel gearbox with gearbox reduction 4,5:1 and integrated end stop, free wheel operating handle ring incl. spring roller tube gudgeon, with octagonal pin for smooth permanent cover tension. Roller tube made of galvanised steel with groove for the cover fixation. Continuous triangular steel mounting bar, protected against corrosion, powder coated, to hold the arm fixations, roller tube supports, brackets, bearing for gearbox and opposite side. Both front rails made of extruded multiple chamber aluminium profile with rainwater nose, grooves for the cover and the valance and fixation groove for the folding arms, with end caps. The rear front rail also has a groove for the folding arm links and side end caps with guide tab. Double folding arms made of extruded aluminium profiles, with precision joints made of aluminium casting. Integrated spring and double stainless steel cables, cable protection sleeves over the middle joint. Folding arm link with adjustment screw and for the rear front rail. Arm supports made of aluminium casting with integrated knock-up security. Fall adjustment by octagonal screw from horizontal up to max. 60°. To stabilise the rear folding arms an adjustable arm stop is fixed to the arm support. Installation brackets made of aluminium casting for wall or top fixing (option: brackets for rafters).

Operating handle powder coated matching the standard colours, with hook and plastic handle.

Option electric drive: Tubular AC motor 230V/50Hz with friction brake and electronic end stop. Thermal protection. Protection class IP54 (splash water), with 50-150cm 4-pole connection cable.

METHOD OF DELIVERY

Awnings completely assembled, with cover.



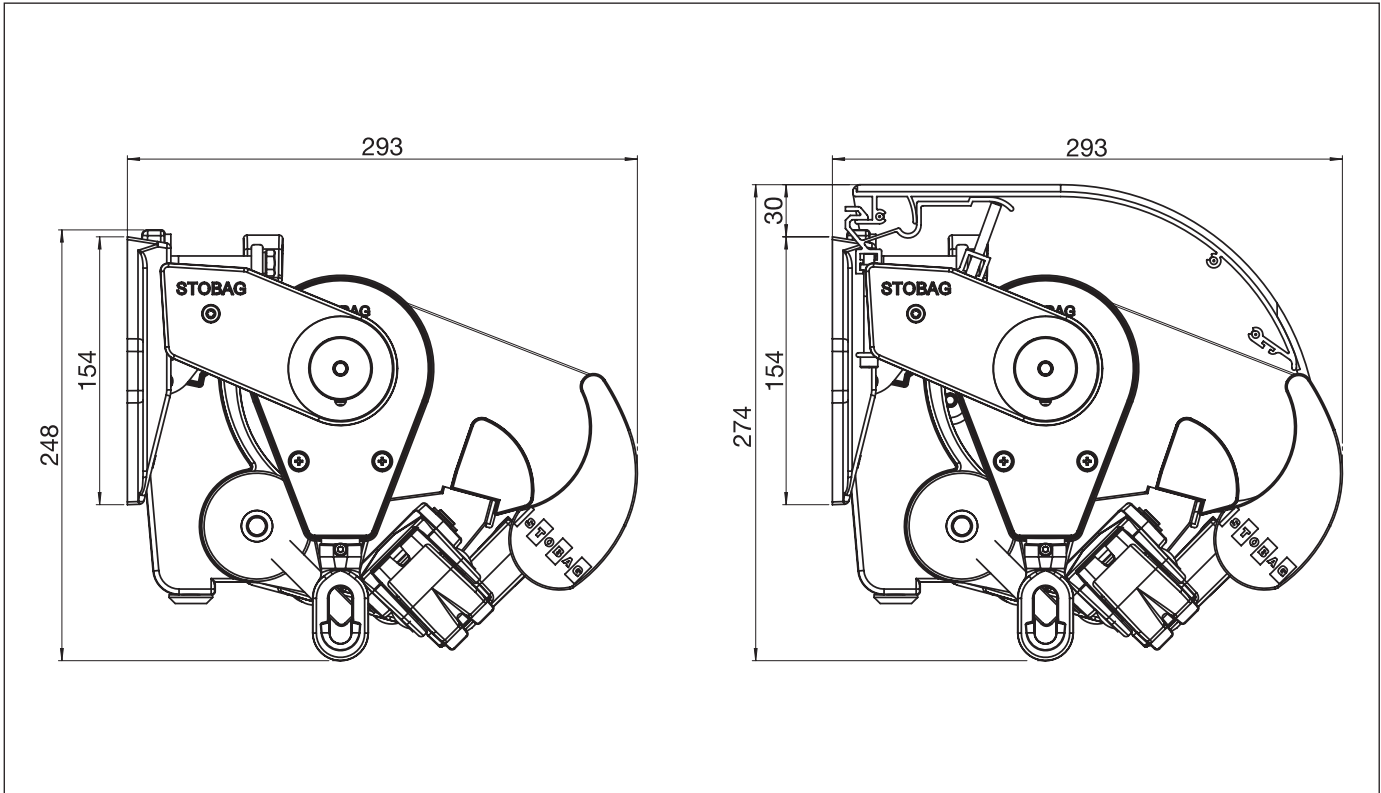


SELECT-BETA S8180

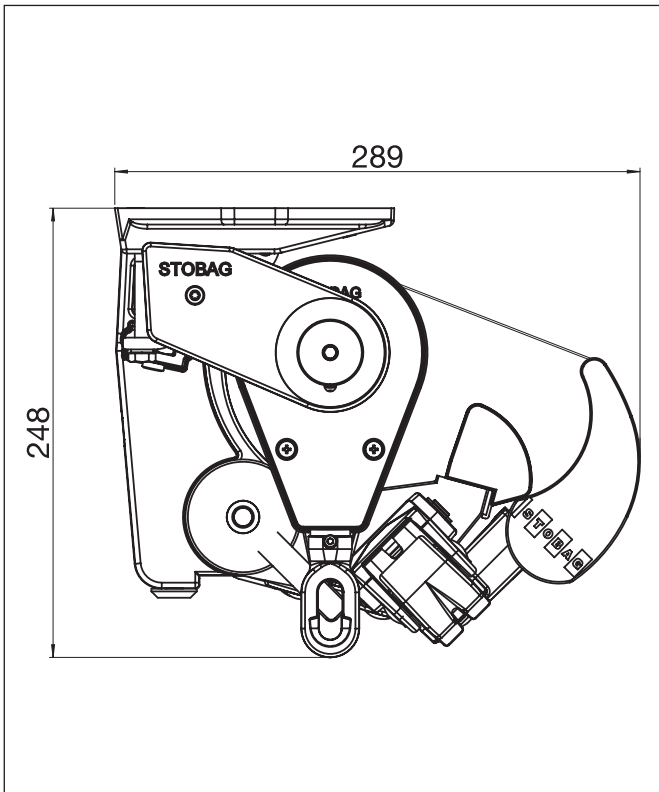
Folding arm awning with mounting bar and 2nd incline

S8180

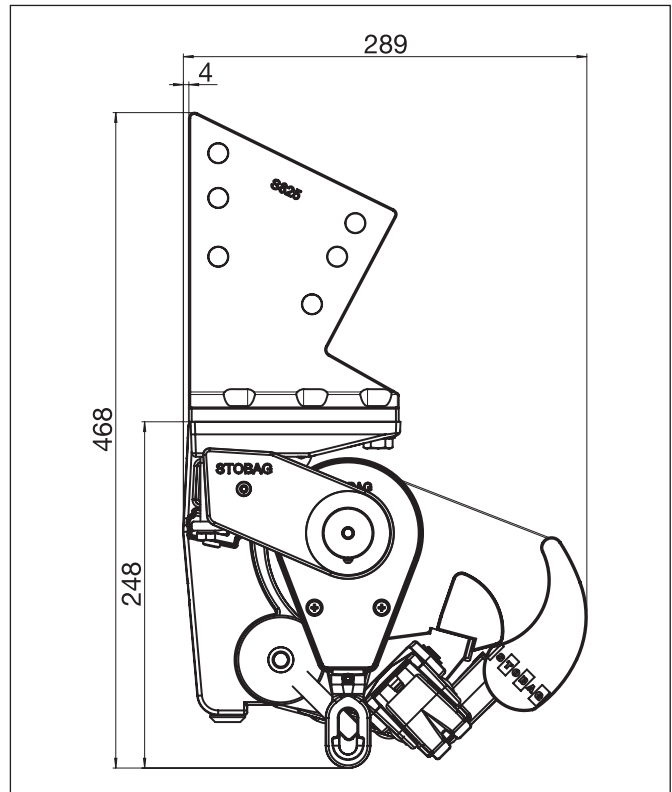
Wall fixing



Top fixing



Rafter installation



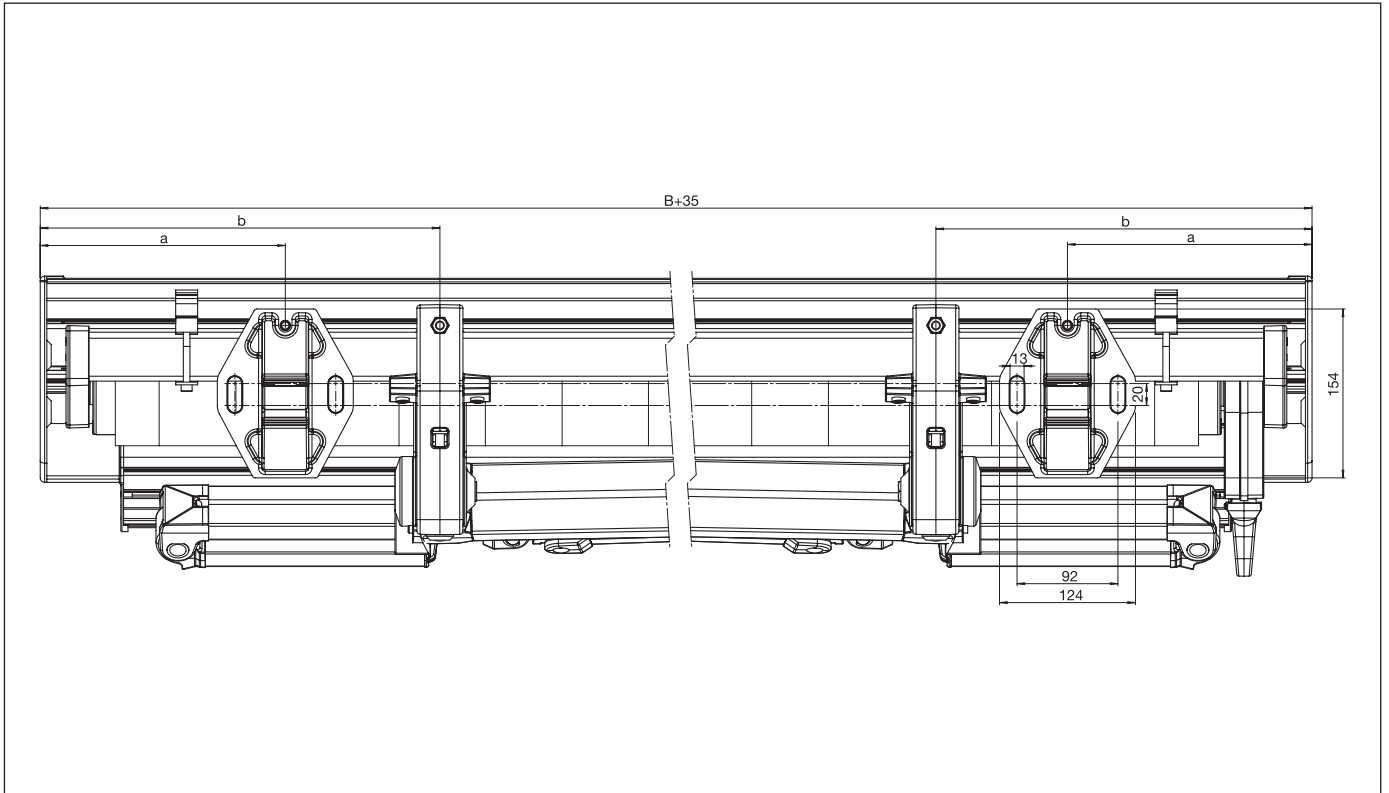


SELECT-BETA S8180

Folding arm awning with mounting bar and 2nd incline

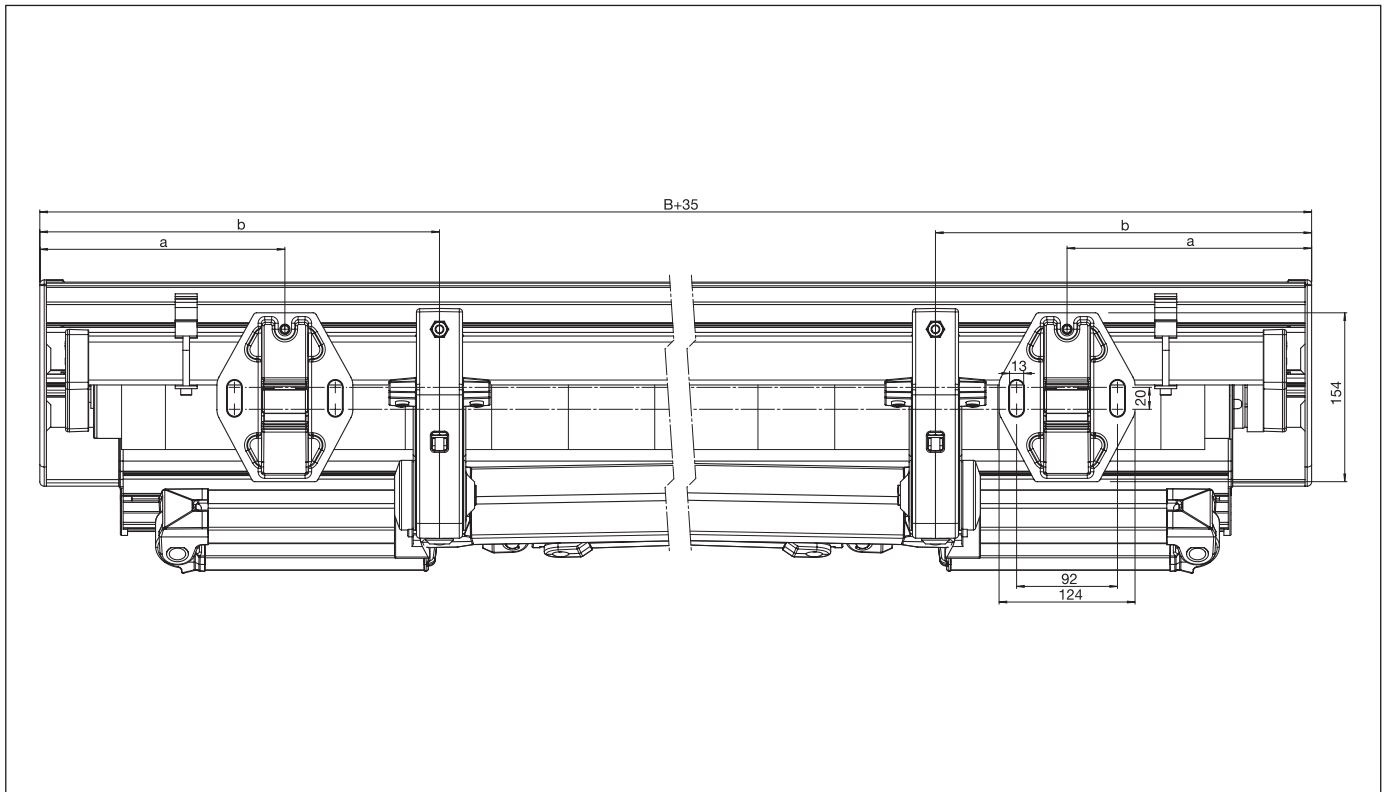
S8180

Installation drawing with gearbox



S8180

Installation drawing with motor drive



B = Total width