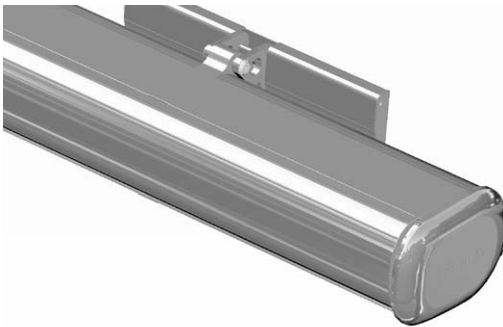




# RESOBOX BX8000

## Box awning

### BX8000



	min. 200 cm max. 1800 cm		min. 150 cm max. 400 cm
--	-----------------------------	--	----------------------------

	0° – 40° Wall fixing
	0° – 40° Top fixing

#### Minimal width for a given projection

Projection	minimal width		
	2 Arms	3 Arms	4 Arms
150 cm	200 cm	---	675 cm
200 cm	250 cm	---	675 cm
250 cm	300 cm	---	675 cm
300 cm	350 cm	---	675 cm
350 cm	400 cm	675 cm	800 cm
400 cm	450 cm	675 cm	900 cm

### Description

Large area box awning with electric motor drive. Awning is extended and retracted via tubular motor. Fitted with awning cover. Galvanized steel fabric roller shaft with groove for accepting cover. Box: Aluminium extruded profile. U-shaped in two parts as structural support. Grooves on lower and upper end of profile for band brushes. Front profile without valance fitting. Aluminium cast alloy side cover as box end designed to house fabric roller tube fixture. Easy to install on box holder hinge. Infinitely variable drop (0 – 40°) can be set on awning via adjusting screw. The elegantly shaped front profile perfectly matches box profile. Front profile of extruded aluminium chamber profile with receiver grooves for tensioning and fixing folding arms. Folding arms made of aluminium extruded profiles with precision links of aluminium cast alloy for up to 300 cm arm length, 350 cm and 400 cm arm lengths made of aluminium drop-forged joints. Integrated gas spring and stainless steel cable. Cable protector on middle joint. The appropriate box holder enables both wall and top fix installation. Side caps made of aluminium cast alloy. Retracted front profile closes box. Installation bracket profile made of aluminium extruded section for single or multiple systems with matching bracket covers. A patented technology means awning can be joined up to 18 metres wide using box supports.

#### Optional:

- Valance section consisting of aluminium extruded section with groove for valance fitting for direct installation on front profile.
- Drop-down valance up to a maximum height of 120 cm. Total width up to 1400 cm, from 700 cm consisting of two fabric covers and two drives (left and right). Operated manually by drives.
- Cover profile screens fabric roller tube.

**A motorised RESOBOX BX8000 folding arm awning has a maximum noise pollution level of on or under 70dB(A).**

### METHOD OF DELIVERY

Awning fully assembled with cover.  
Awnings over 900 cm wide are braced with coupling profile.



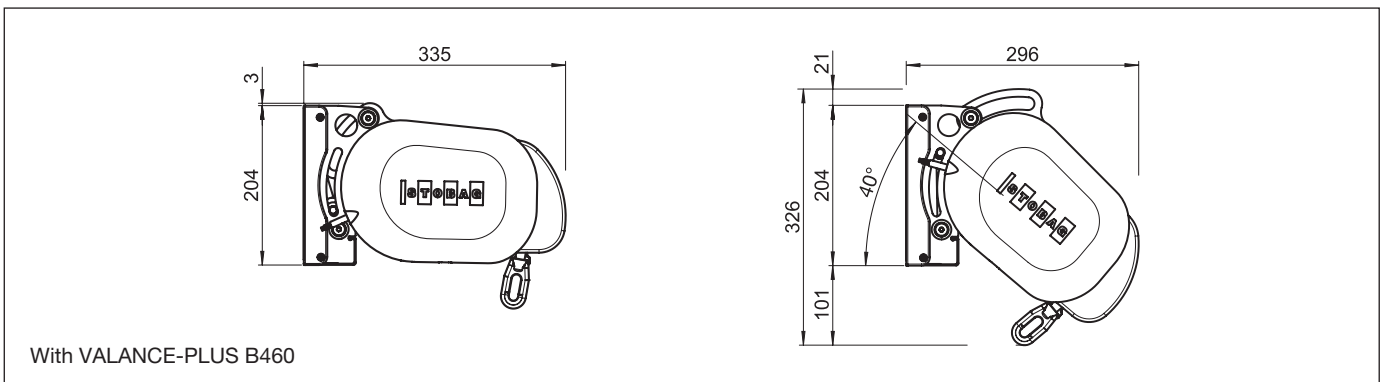
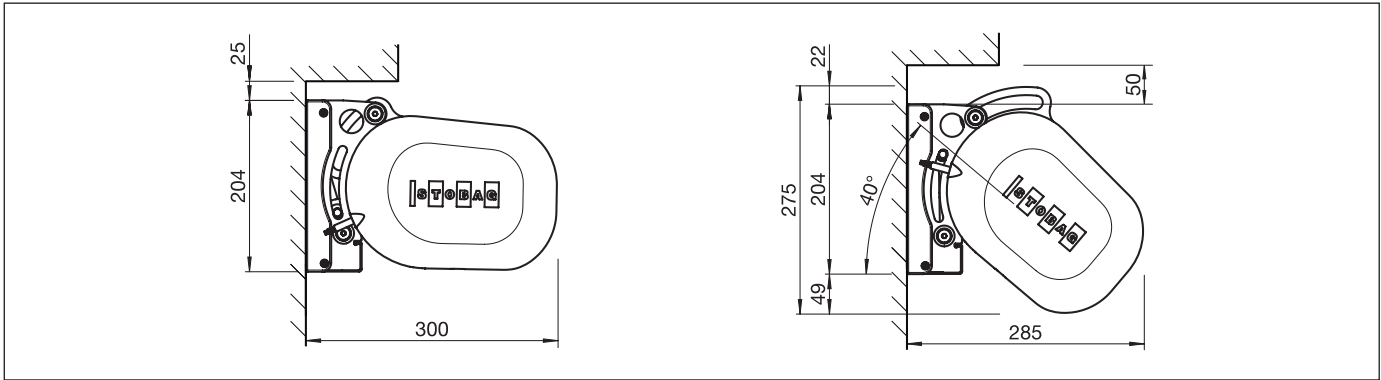


# RESOBOX BX8000

Box awning

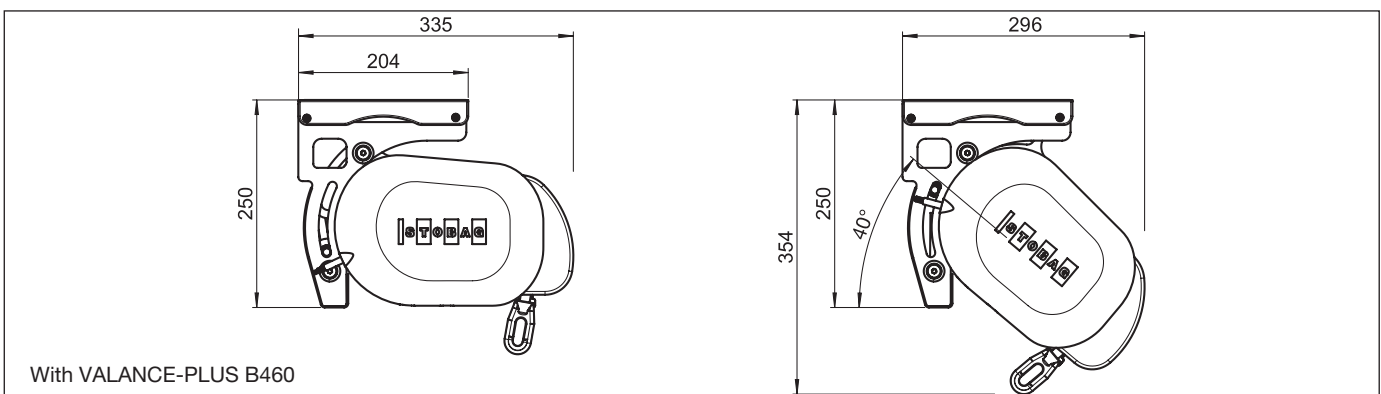
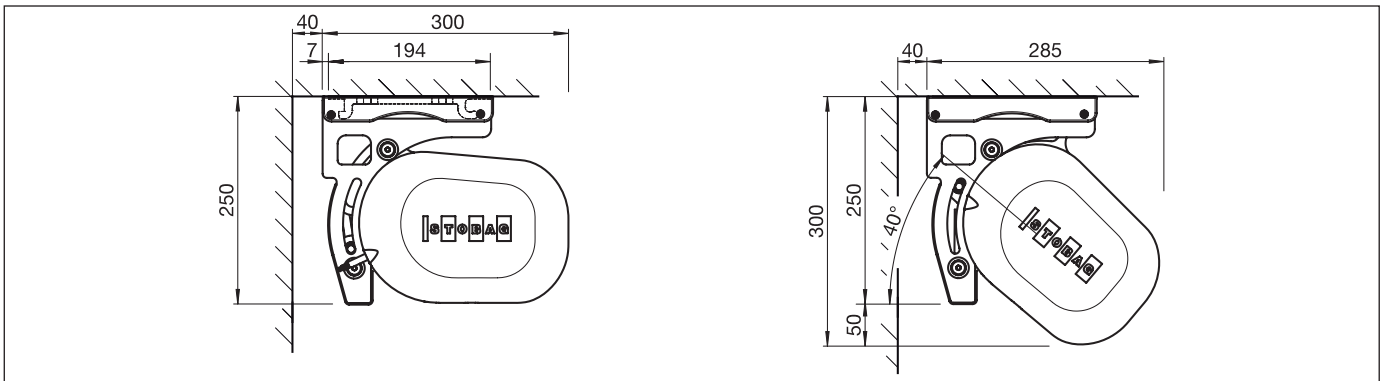
## BX8000

## Wall fixing



## BX8000

## Top fixing



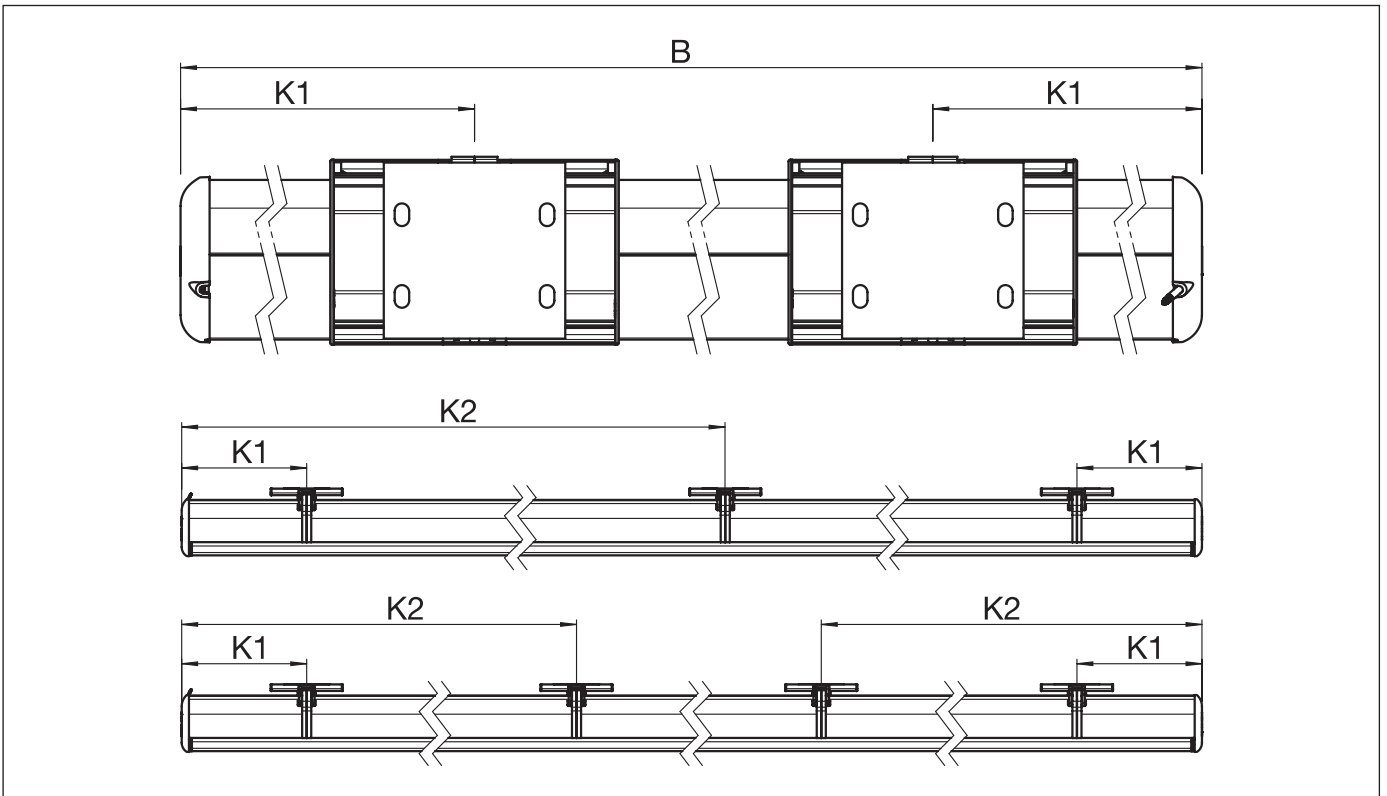


# RESOBOX BX8000

Box awning

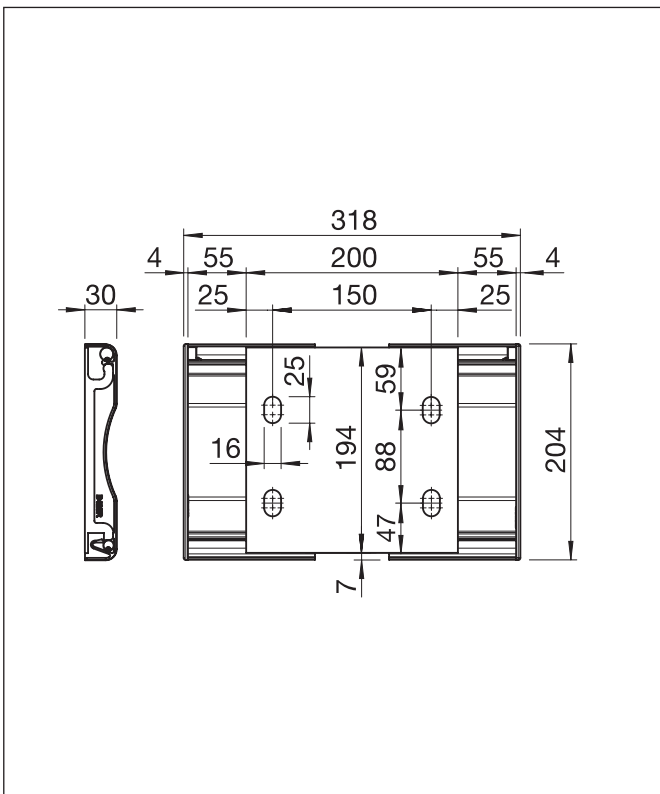
## BX8000

## Installation drawing



B = Total width

## B423/1 Bracket kit



## B423/2 Bracket kit

