





# ARCADA PS3000

Conservatory awning with motor

## PS3000



	min. 85-200 cm max. 500 cm		min. 150 cm max. 500 cm
---	-------------------------------	---	----------------------------

## Description

Awning for conservatories for oblique and vertical installation, with motor drive. Fabric cover. Retraction and extension of the awning with tubular AC motor 230V/50Hz with friction brake and electronic end stop. Thermal protection. Protection class IP54 (splash water), with 150cm 4-pole connection cable. Box: extruded aluminium profiles, in one piece, in round execution, as a construction support element. Side caps in aluminium with plug-in gudgeon links to the guide rails and to the roller tube bearing or the motor bearing. Front rail made of extruded aluminium chamber profile, with grooves for the cover and lateral roll mechanism to guide the pull and push mechanism, incl. integrated gas-filled strut mechanism and stainless steel cable traction system for the cover transport. With rolled in front rail, the box is completely closed. Oblique and vertical guide rails made of extruded aluminium profiles, with the possibility to add a 90° bow, with glide grooves for the guide rolls of the front rail as well as a profile groove for the fixations and the pully tube. Deflection roller tube made of plastic with brass friction bearing. Pully tube made of round extruded aluminium profiles. Fixations made of aluminium casting for individual installations as well as for installations side by side. All visible screws stainless steel.

### Option:

Awnings with an extension of more than 250 cm horizontally are fitted with one guiding roller profile including support set for guiding roller profile for the cover supports. Guiding roller profile is round extruded aluminium, guide rail fixings are cast aluminium alloy.

### Option:

Motor drive E radio

## METHOD OF DELIVERY

Awning completely assembled, with cover. Guide rails and guiding roller profiles separately.



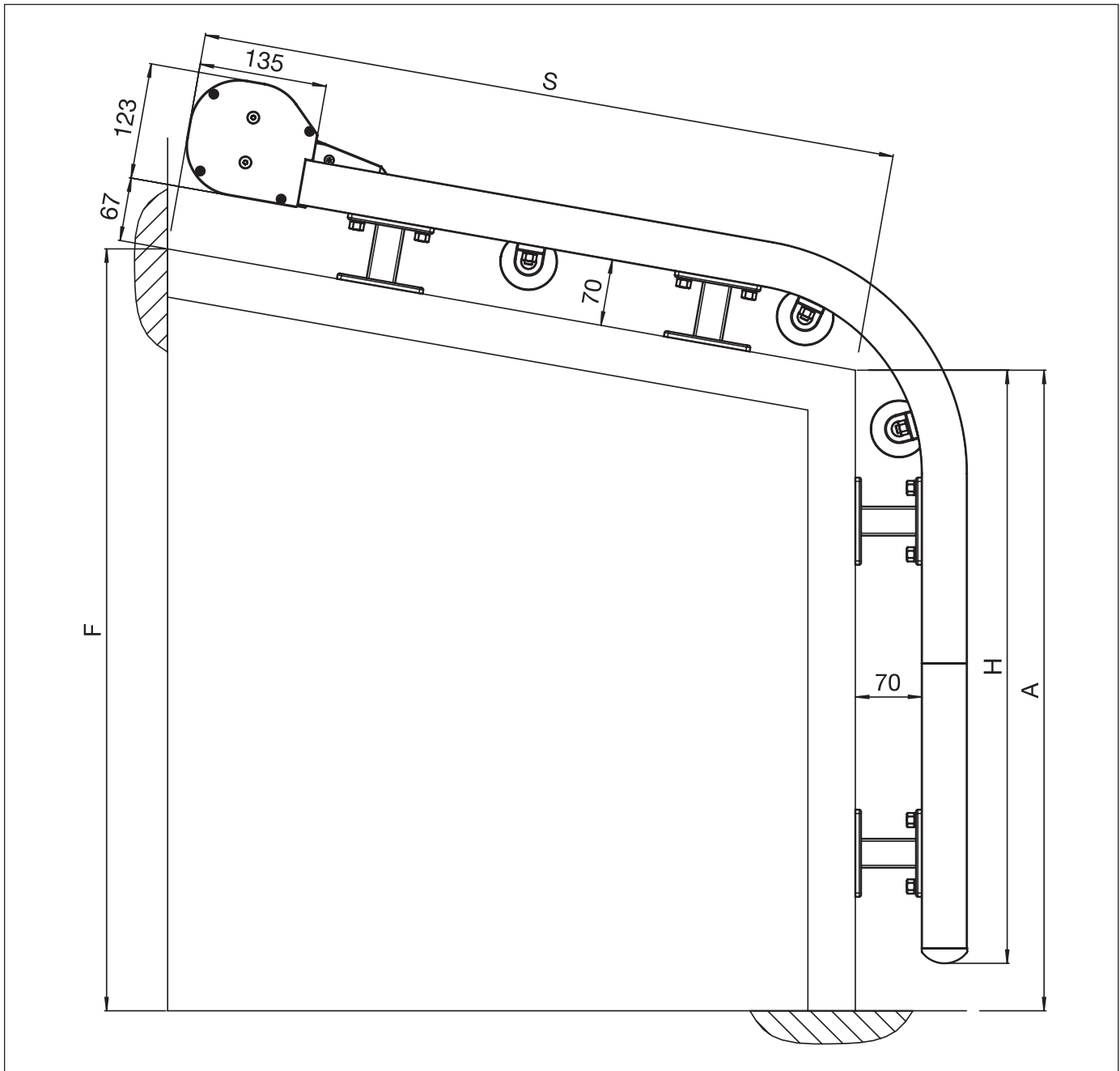


# ARCADA PS3000

Conservatory awning with motor

PS3000

Conservatory installation



**S** Projection oblique

**F** Height at the rear

**A** Front height

**H** Height guide rail

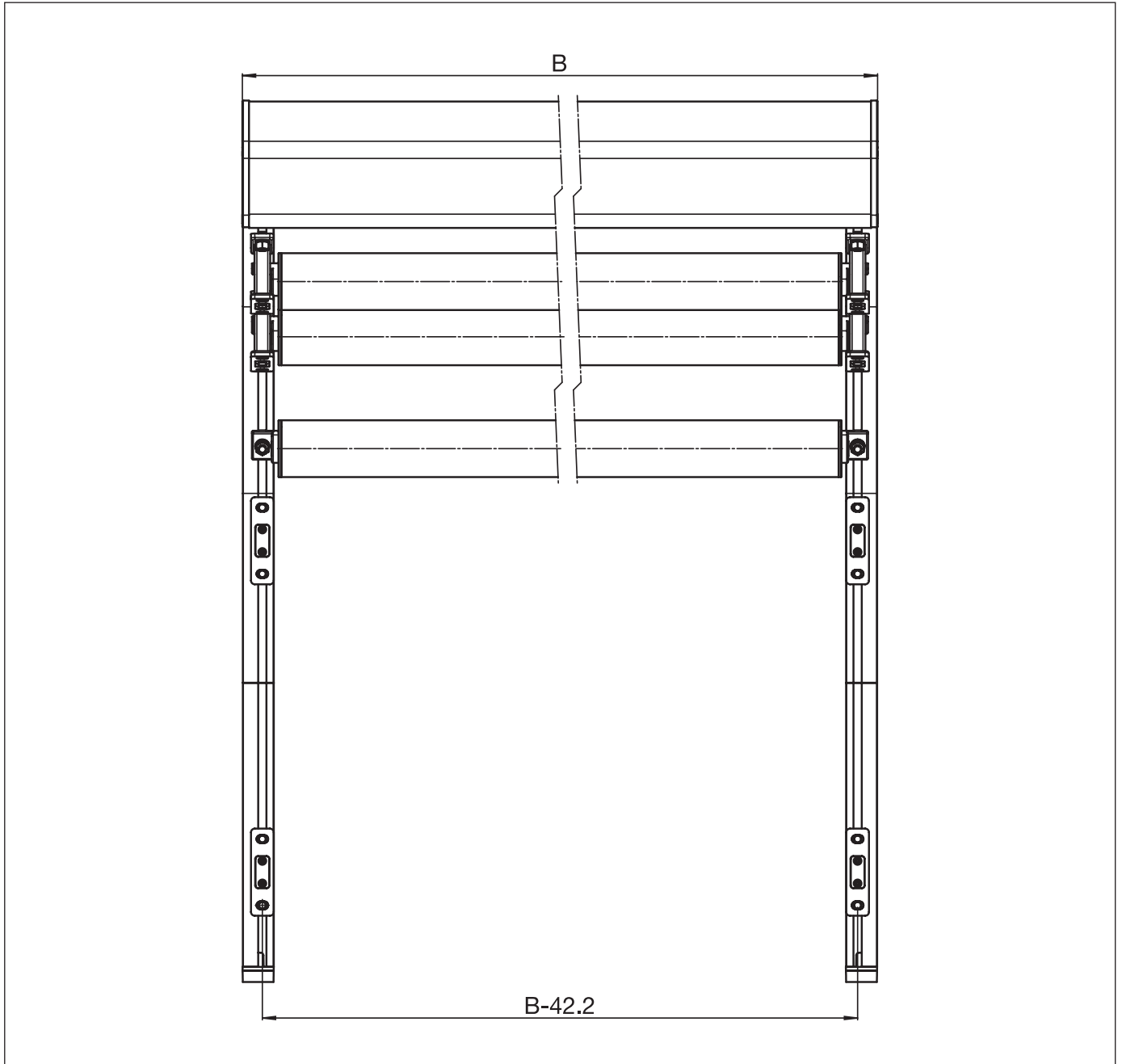


# ARCADA PS3000

Conservatory awning with motor

PS3000

Installation drawing



**B** = Total width