



AIROMATIC PS4500

Conservatory awning with motor

PS4500



	min. 85 cm *max. 450/550 cm		min. 100 cm *max. 500/600 cm
--	--------------------------------	--	---------------------------------

*max 27.5m²

Description

Awning for conservatories with motor drive. Fabric cover. Retraction and extension of the awning with tubular AC motor 230V/50Hz with friction brake and electronic end stop. Thermal protection. Protection class IP54 (splash water), with 150cm 4-pole connection cable. Box: extruded aluminium profiles, in one piece, round execution, as a construction support element. Side caps in aluminium casting with plug-in gudgeon links to the guide rails and to the roller tube bearing or the motor bearing. Roller tube made of galvanised steel with groove for the cover fixation. Front rail made of extruded aluminium chamber profile, with grooves for the cover and the driver of the pull and push mechanism. With rolled in front rail, the box is completely closed. Guide rails made of extruded aluminium profiles, with slide groove for the plastic gliders, hollow chamber for the integrated gas-filled strut mechanism and stainless steel cable tension system for the cover transport as well as profile groove for the fixation. Fixation made of aluminium casting for individual installations as well as for installations side by side.

Awnings with an extension of more than 300 cm are fitted with one guiding roller profile and more than 500cm with two, including guiding roller supports for the cover supports. Guiding roller profile is oval extruded aluminium, guide rail fixings are cast aluminium alloy. All visible screws in stainless steel.

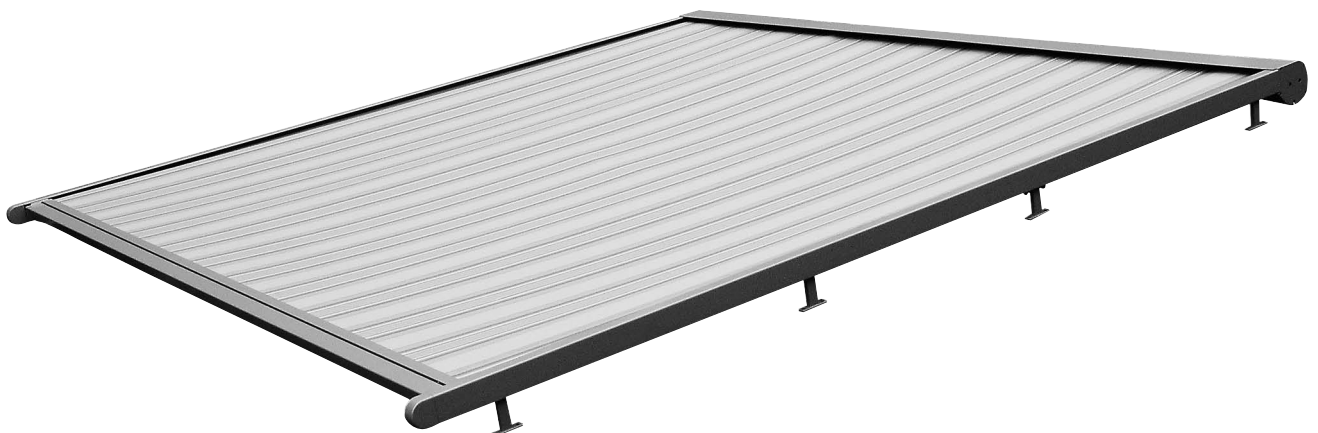
Option:

Motor drive E radio

METHOD OF DELIVERY

With box profile:

Awning completely assembled. With cover.
Guide rails separately



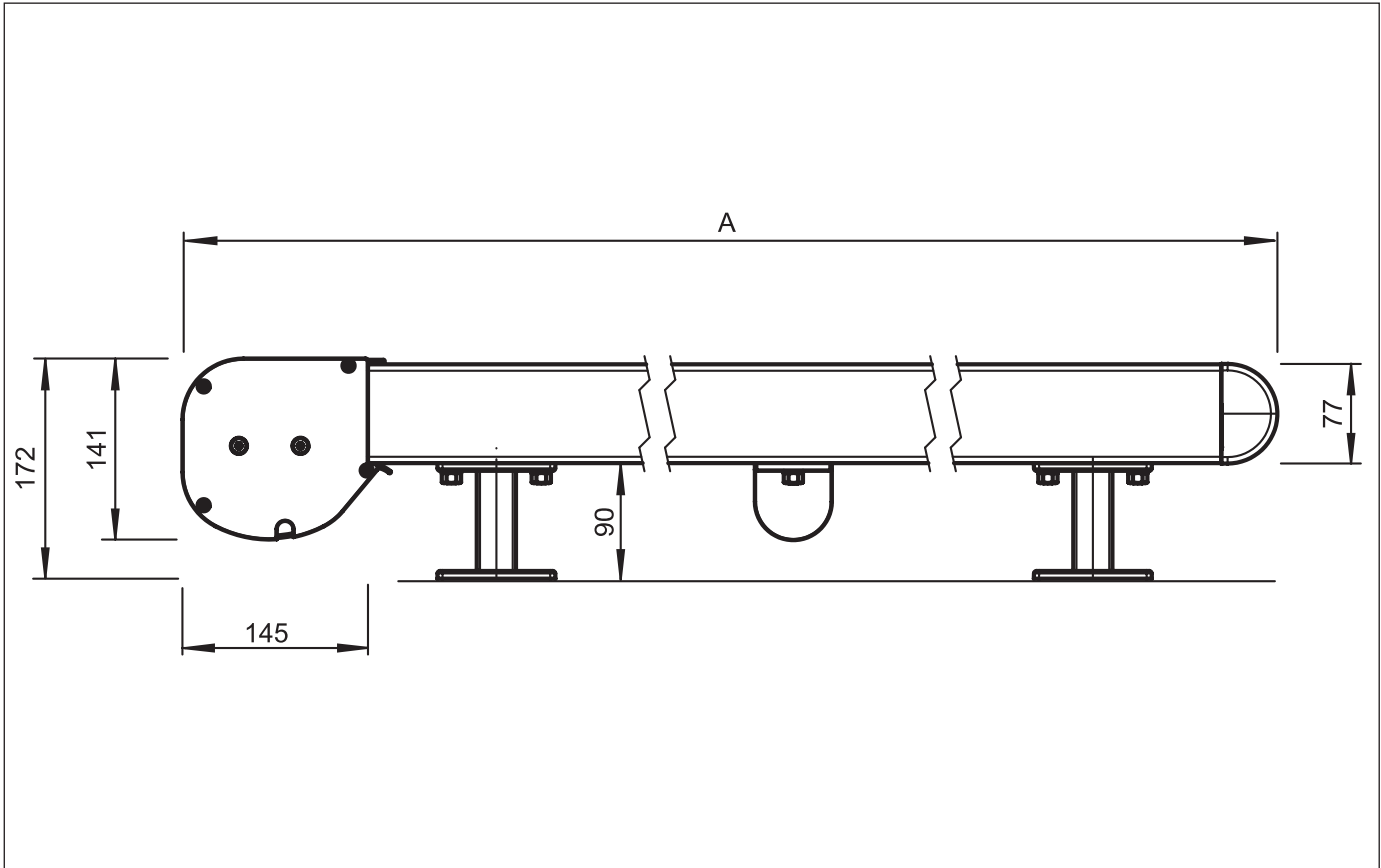


AIROMATIC PS4500

Conservatory awning with motor

PS4500

Conservatory installation



A = Projection

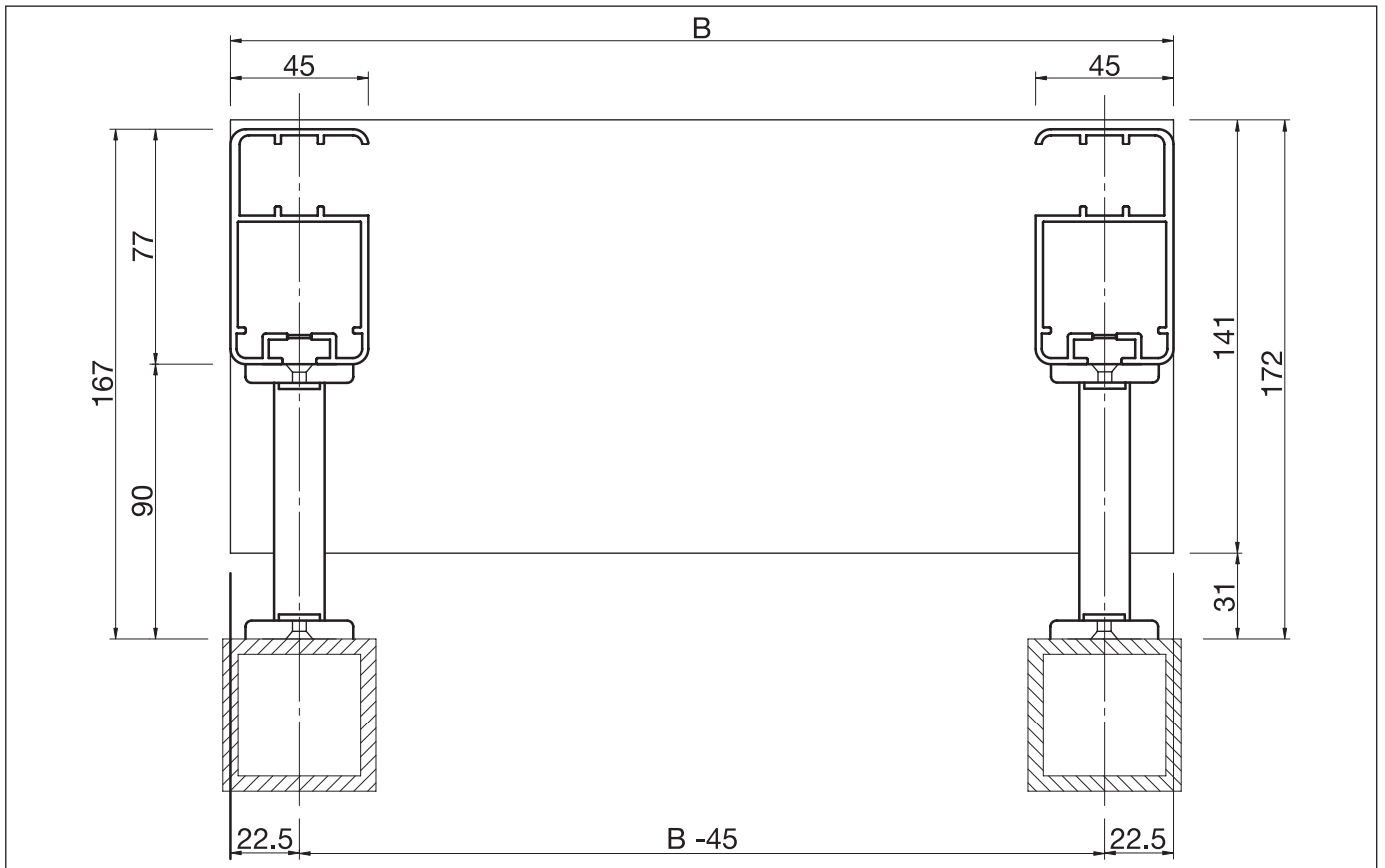


AIROMATIC PS4500

Conservatory awning with motor

PS4500

Installation drawing



B = total width