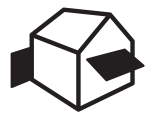
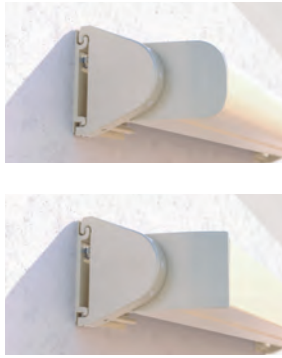




BALCONY & TERRACE
RIGID AND MULTI-PURPOSE BOX AWNINGS



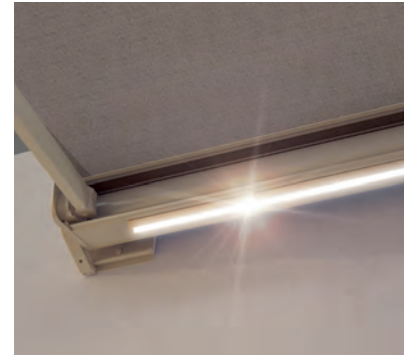
TENDABOX BX3000



Round or square design



Drop down valance



LED lighting

- Sealed box protects from the elements
- Various mounting options to the wall, below the ceiling or to the frames
- Simple and proven installation system for hanging
- Awning incline adjustable from 0° to 85°
- Choice of square or round design
- Optional cover to hide cover roller shaft
- Optional drop down valance with rounded box: Acrylic cover to max. 120 cm and Soltis 86/Soltis 92 to max. 170 cm high. Improved winding thanks to the floating system (floating roller)
- Optional LED lighting for attachment to the box
- Optional wall joint profile prevents rain water entering between façade and awning



min. 195 cm
max. 650 cm



min. 150 cm
max. 400 cm*

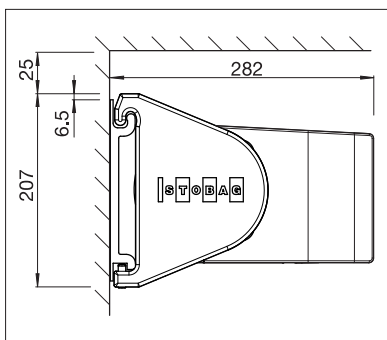
* with drop down valance max. 350 cm projection;
with gearbox max. 600 cm width x 400 cm projection



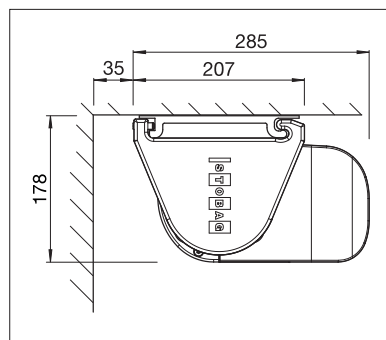
The wind resistance class can vary depending on version and dimension.



Technical dimensions in millimetres



Wall installation, Square design



Top installation, Round design



REGISTRATION REQUIRED



COLOURS

Discover the diverse options when selecting frame colours.



FABRICS

Choose from a comprehensive range of materials and colours.



ELECTRICS

More convenience thanks to the automated control and lighting systems.

More information at www.stobag.com

