

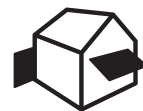


SIRO



BALCONY & TERRACE

**CAN BE USED FOR LATERAL SHADE
AS WELL AS FOR PROTECTION AGAINST
WIND AND PRYING EYES**



SIRO SR5000 | SR6000 FLEX



SR5000 Wall fixing



SR6000 Suspension system



Wall installation

SR5000 | SR6000 FLEX

- Can be used for lateral shade as well as for protection against wind or prying eyes
- Integrated spring shaft ensures high cover tensioning
- Various installation options such as wall brackets, floor sleeves or supports
- Swivel mounting flange allows awning to be rolled up in any direction (SR5000)
- Hanging box system for many applications (SR6000)

Box width



min. 120 cm
max. 200 cm

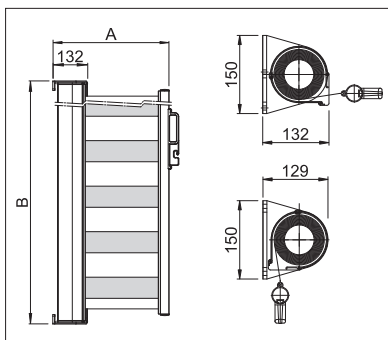
Pull out length



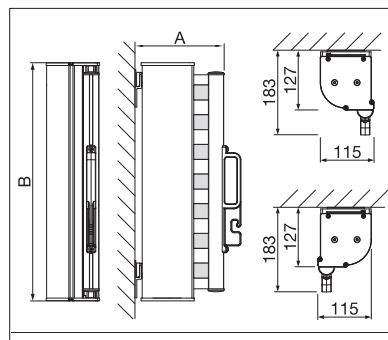
min. 100 cm
max. 400 cm



Technical dimensions in millimetres



SR5000 Wall fixing



SR6000 Wall fixing / Top fixing



REGISTRATION
REQUIRED



COLOURS

Discover the diverse options when selecting frame colours.



FABRICS

Choose from a comprehensive range of materials and colours.

More information at www.stobag.com

