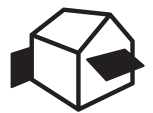


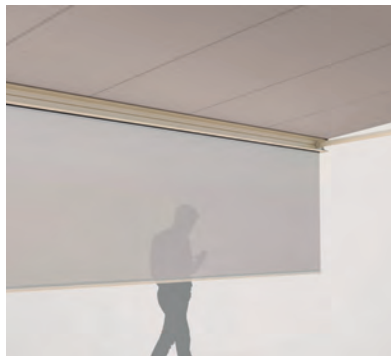
BALCONY & TERRACE  
**BOX AWNINGS FOR OVER  
70 M<sup>2</sup> OF SHADING**



# RESOBOX BX8000



Patented box connection



Drop down valance



Roller tube blind

- Box awnings for large terraces to 18 m total width and 4 m projection
- Patented, modular box connection system ensures optimum stability
- Flexible bracket positioning
- Awning incline adjustable from 0° to 40°
- Stylish and extremely robust folding arms
- Optional cover to hide cover roller shaft
- Optional Drop down valance: Acrylic cover to max. 120 cm and Soltis 86/Soltis 92 to max. 170 cm high. Improved winding thanks to the floating system (floating roller).



min. 200 cm  
max. 1800 cm\*



min. 150 cm  
max. 400 cm

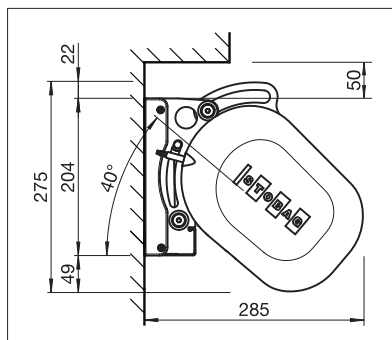
\* with Drop down valance to max. 1400 cm wide; over 700 cm two-piece



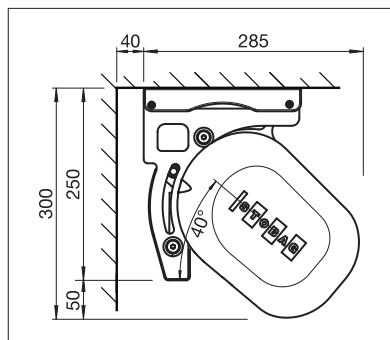
The wind resistance class can vary depending on version and dimension.



Technical dimensions in millimetres



Wall installation



Top installation



EN 13561



REGISTRATION REQUIRED



## COLOURS

Discover the diverse options when selecting frame colours.



## FABRICS

Choose from a comprehensive range of materials and colours.



## ELECTRICS

More convenience thanks to the automated control and lighting systems.

More information at [www.stobag.com](http://www.stobag.com)

