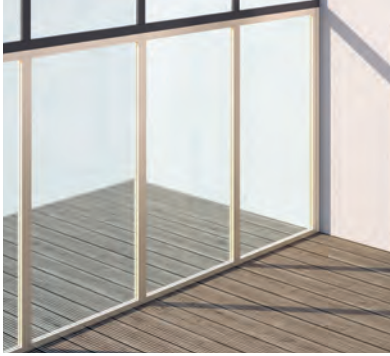




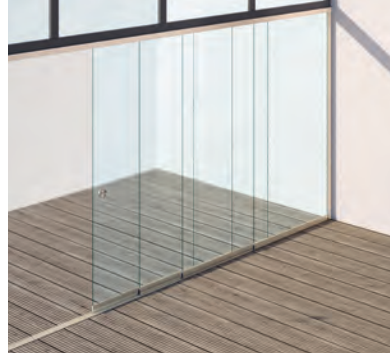
PERGOLA & PAVILLON
FRONT AND SIDE GLAZING



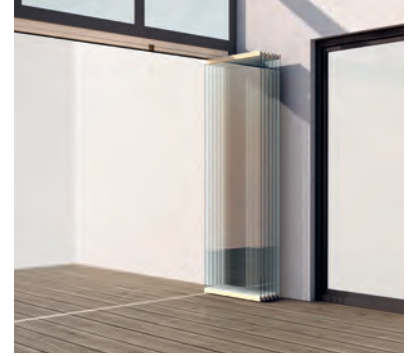
GLAZING SYSTEMS SV1051 | SV1020 | SV1025



SV1051



SV1020

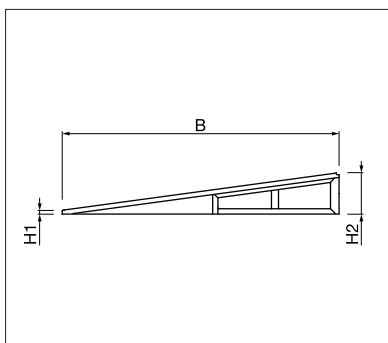


SV1025

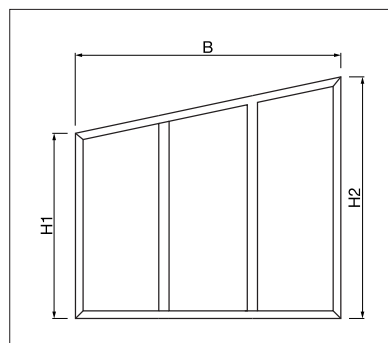


- Glazing systems from 8 mm laminated safety glass and aluminium profiles (non-insulated)
- Glass is additionally heated to reduce spontaneous fractures (ESG-H)
- Glass can also be ordered with matt film or satin finish (privacy protection)
- Aluminium frames available in various colour tones
- Optional locking
- Optional tilt joint allows warm air to be discharged
- Retrofitting to systems or existing constructions also possible
- Can be combined with STOBAG aluminium floor systems (I.S.L.A. Concept)

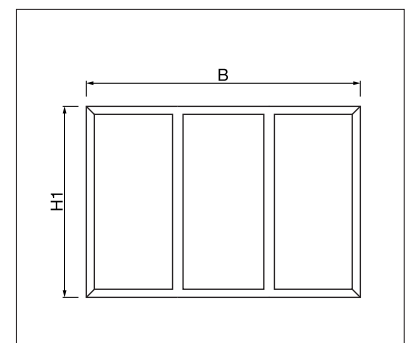
Technical dimensions in millimetres



SV1051 Glass wedge



SV1051 Fixed glass panel with roof pitch



SV1051 Fixed glass panel



EN 13561

REGISTRATION
REQUIRED

COLOURS

Discover the diverse options when selecting frame colours.

More information at www.stobag.com