

FLOOR SYSTEM

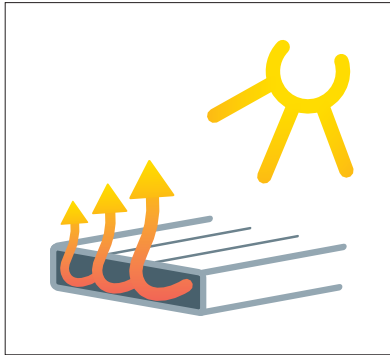


FLOOR & OPEN SPACES

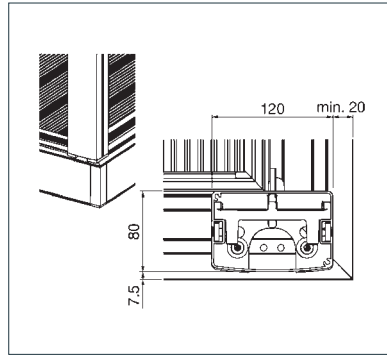
ROBUST AND DURABLE ALUMINIUM FLOOR SYSTEM



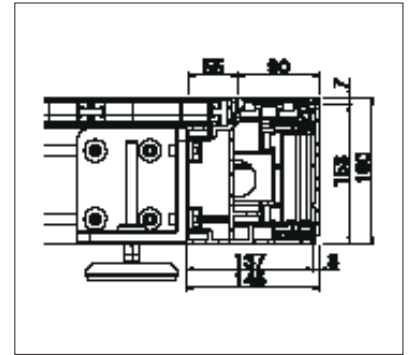
ALUMINIUM FLOOR SYSTEM SB4700



Hollow profile, air circulation



Cable channel



Foot mount

SB4700

- Weather-resistant floor made from top-quality aluminium
- Quickly ready for use as no complex foundation is required
- Highly versatile on various substrates
- Easy-clean aluminium floor in imitation wood – no more sanding or painting
- No splinters
- Cooler than wood planking thanks to air circulation
- Combinable with extension modules from the STOBAG range (Basis for I.S.L.A. Concept)

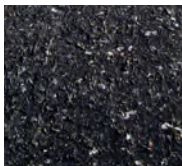


min. 200 cm*
max. ~ cm*



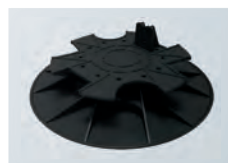
min. 200 cm
max. 700 cm

*Max. dimension without coupling varies depending on decking; with coupling infinitely extendible



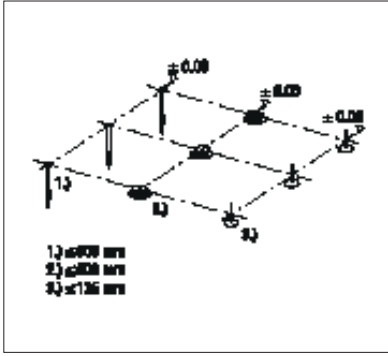
MULTI-GROUND

Highly versatile on various substrates thanks to the range of supports. The low-maintenance, self-supporting construction is quickly ready for use since no complex foundation is required. Moreover, the individual deck boards are quickly laid thanks to the clever click system.



SUPPORTS

Few supports – quickly ready for use: The design requires, for example, only four supports for dimensions of 350 × 350 cm (no time-consuming substructure required).



Assembly variants



Click system

Technical dimensions in millimetres

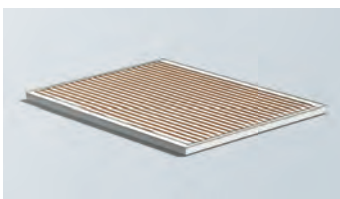
WOOD LOOK

The individual aluminium deck boards, which look incredibly like genuine deck boards, are low maintenance in comparison to wood.



I.S.L.A. CONCEPT

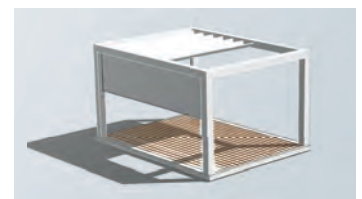
1 FLOOR SYSTEM



2 ADD-ON MODULE



3 I.S.L.A. Concept



| I.S.L.A. ADD-ON MODULE | TERRADO | RIVERA | MELANO | BAVONA | PERGOLINO | BOXMOBIL | OMBRAMOBILO |
|---------------------------|---------|--------|--------|--------|-----------|----------|-------------|
| Horizontal sun protection | + | • | • | • | • | • | • |
| Rain protection | • | • | • | • | + | + | + |
| Snow load | • | - | - | - | - | - | - |
| Vertical sun protection | + | + | + | + | + | + | - |
| Sliding glazing | + | + | + | + | - | - | - |

• STANDARD + OPTIONAL - NOT POSSIBLE SUBJECT TO CHANGE WITHOUT PRIOR NOTIFICATION



LIVING EXPERIENCE IN THE OPEN AIR