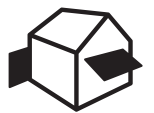




CAMABOX



BALCONY & TERRACE
BOX AWNINGS WITH CUBIC BOXES



reddot award 2017
winner

www.stobag.com

STOBAG

CAMABOX BX4000



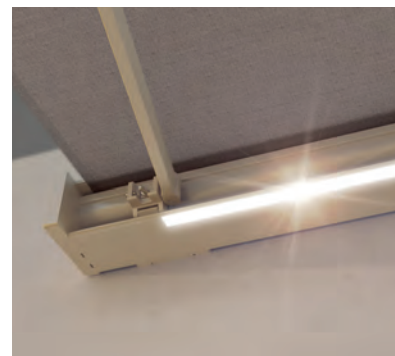
reddot award 2017
winner



Square design



Tilt joint



LED lighting

- Sealed box protects from the elements
- Modern, cubic design
- Various mounting options to the wall, below the ceiling or to the frames
- Variable bracket positioning
- Awning incline adjustable from 5° to 35°
- Integrated tilt joint
- Optional LED lighting in the box

BX4000



min. 214 cm
max. 550 cm



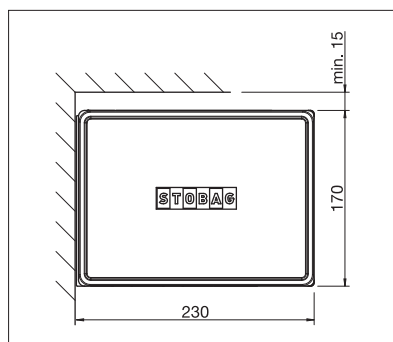
min. 150 cm
max. 300 cm



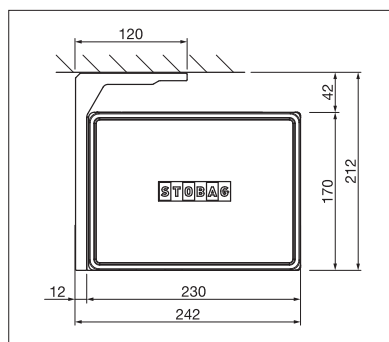
CLASS 3
max. 50 km/h



Technical dimensions in millimetres



Wall installation



Top installation



EN 13561



REGISTRATION
REQUIRED



COLOURS

Discover the diverse options when selecting frame colours.



FABRICS

Choose from a comprehensive range of materials and colours.



ELECTRICS

More convenience thanks to the automated control and lighting systems.

More information at www.stobag.com

