

BOXMOBIL



FLOOR & OPEN SPACES

**FREE STANDING AWNING FOR LARGE
SHADED AREAS – OVER 45 M²**



BOXMOBIL OS7000



Round and square design



Shaded areas individually extending



Drop down valance



- Large shaded area with only two supports
- Left and right shading side protected in separate boxes
- Choice of round or square round boxes
- Left and right shading area which can be operated individually
- Does not generally require a building licence
- Anchoring options for the supports using recessed floor sleeves or concrete bases
- Quick and easy assembly
- Optional lighting system available
- Optional drop down valance: Acrylic fabric to max. 120 cm and Soltis 86/Soltis 92 to max. 170 cm high. Improved winding thanks to the floating system (floating roller)
- Can be combined with STOBAG aluminium floor systems (I.S.L.A. Concept)

OS7000

min. 210 cm
max. 662 cm*

min. 300 cm
max. 700 cm

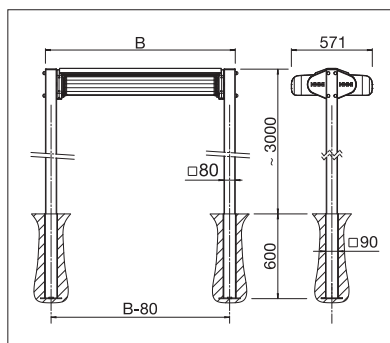
Post height
~ 303 cm

* from 613 cm only with motor

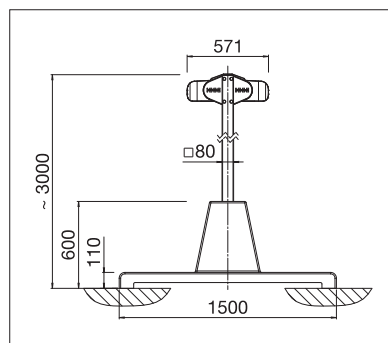
CLASS 2
The wind resistance class can vary depending on version and dimension.



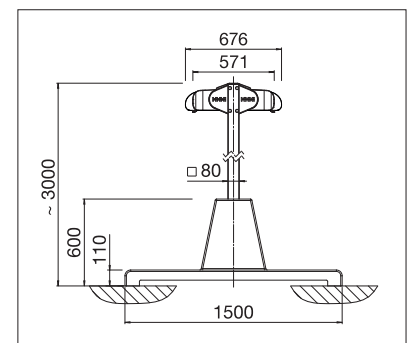
Technical dimensions in millimetres



Wall floor sleeves



With concrete base



With concrete base and drop down valance



EN 13561



REGISTRATION
REQUIRED



COLOURS

Discover the diverse options when selecting frame colours.



FABRICS

Choose from a comprehensive range of materials and colours.



ELECTRICS

More convenience thanks to the automated control and lighting systems.

More information at www.stobag.com

