



ARCADA

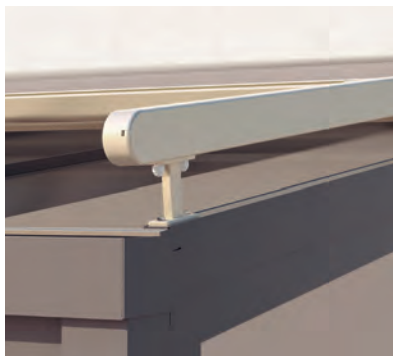


CONSERVATORY & ATRIUM

COMBINED SHADING FROM ROOF AND VERTICAL AREA



ARCADA PS3000



Fixing brackets



Combined shading



Pulleys, bend

- Roof and front shading in one system
- Self-supporting box construction
- Bend angle is produced individually for the conservatory
- High fabric tension thanks to integrated gas springs
- Different types of fixing brackets allow easy and flexible installation on the conservatory
- View and wind protection from the front

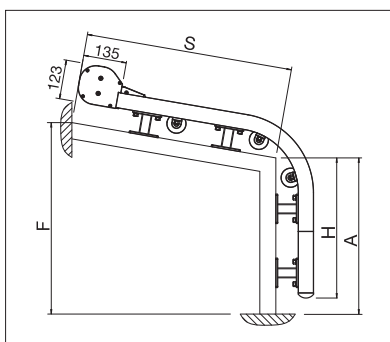
PS3000

 min. 125 cm
max. 500 cm

 min. 150 cm
max. 500 cm



Technical dimensions in millimetres



Side view of substructures



REGISTRATION REQUIRED



COLOURS

Discover the diverse options when selecting frame colours.



FABRICS

Choose from a comprehensive range of materials and colours.



ELECTRICS

More convenience thanks to the automated control and lighting systems.

More information at www.stobag.com

