

# ARCADA-PLUS



PERGOLA & PAVILLON

**ROOF AND FRONT SHADING IN ONE SYSTEM**



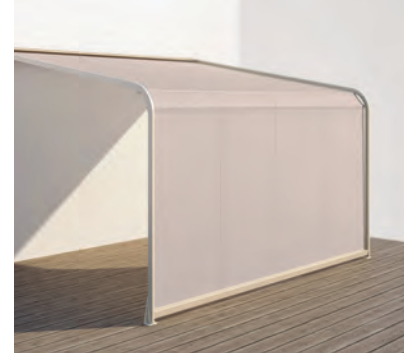
# ARCADA-PLUS PS3300



Wall mounting with box support/bracket



Wall mounting with brackets



Combined shading

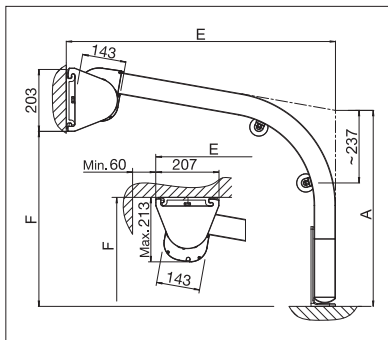
## PS3300

- Can also be mounted on the wall or below the ceiling
- Large projection possible
- The gas-spring cylinders ensure constantly high fabric tensioning – in any position
- Narrow guide rails
- Standard electric drive
- View and wind protection from the front

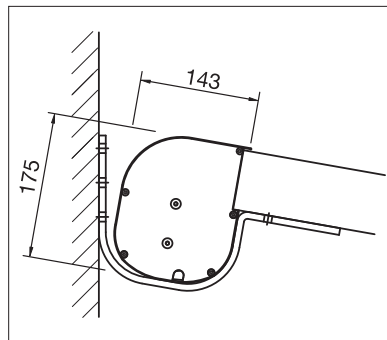
	min. 125 cm
	max. 500 cm
	min. 150 cm
	max. 650 cm
	Post height
	max. 250 cm



Technical dimensions in millimetres



Wall/ceiling mounting with brackets



Box support/bracket



REGISTRATION REQUIRED



### COLOURS

Discover the diverse options when selecting frame colours.



### FABRICS

Choose from a comprehensive range of materials and colours.



### ELECTRICS

More convenience thanks to the automated control and lighting systems.

More information at [www.stobag.com](http://www.stobag.com)

