



General diagram: For the electrician



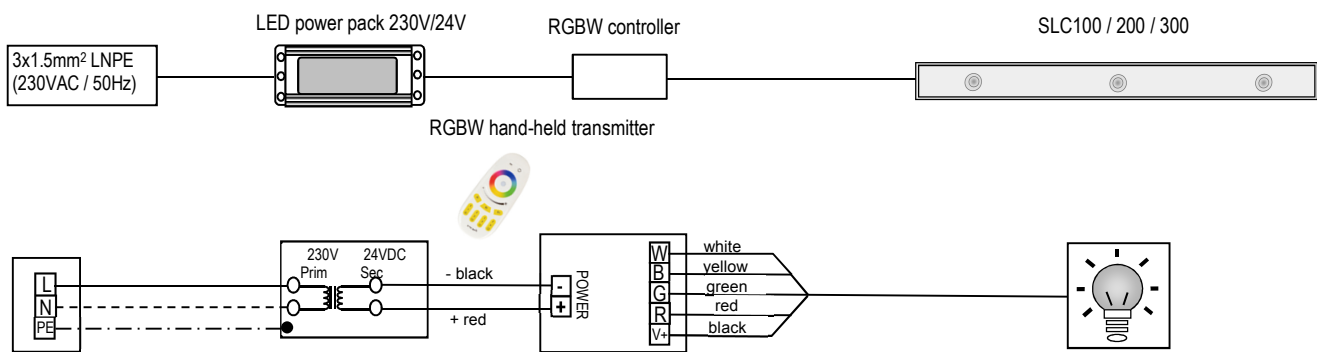
STOBAG RGBW Lighting SLC100-200-300

*This document supersedes all earlier versions. STOBAG endeavors to continuously improve its documentation. The company is unable to accept any liability for any errors or the effects thereof.

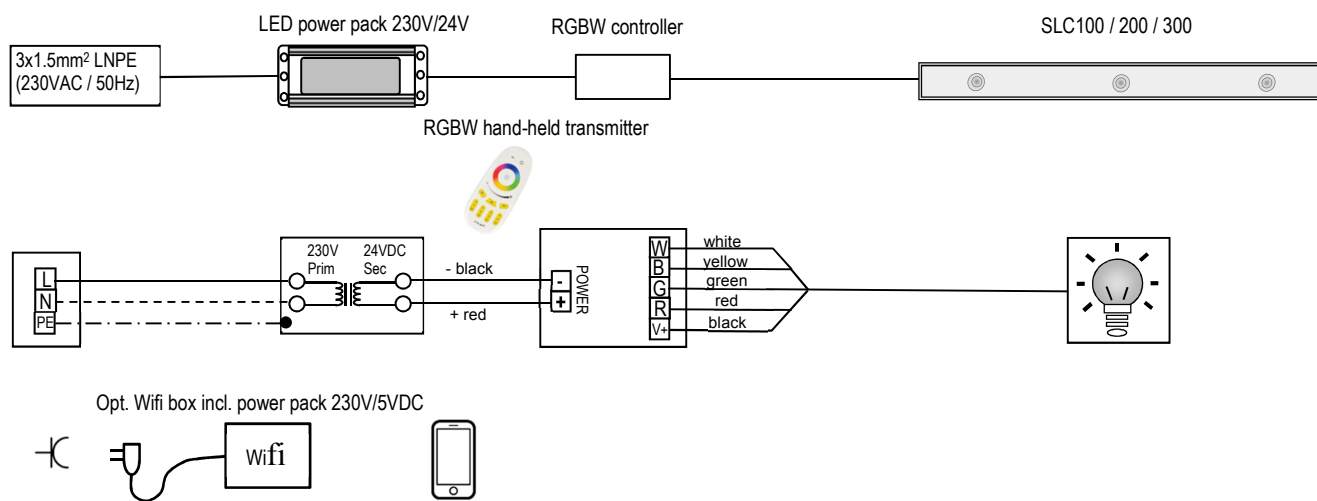
The regulations must be read prior to assembly. The data and instructions must be observed to rule out the possibility of hazards and damage.

The energy-efficient STOBAG RGBW lighting allows you to create your own ambiance with the primary LED colors of red, green blue and white. A hand-held transmitter is used to control the ambient lighting, also optionally via an app.

Control option 1: Remote control



Control option 2: Remote control + opt. smartphone app



Important: Control via the app requires a WLAN network.

Safety instructions:



- Unpack the lighting and check it for damage immediately.
- If it appears that safe operation cannot be guaranteed, switch off the lighting without delay and secure to prevent accidental restart.
- Electrical installation on-site must be carried out by licensed electrical engineers.
- Make the electrical connections in such a way that they can be **accessed and can be switched off** at all times.
- Carry out wiring work in the de-energized state.
- The specified protection rating is guaranteed only when the housing is undamaged and complete.
- Operation only with a downstream ground fault circuit interrupter, max. 30mA Type A.
- The local provisions must be respected.
- Any disposal must be carried out in accordance with the applicable statutory provisions.