



# Overview diagram: For electricians



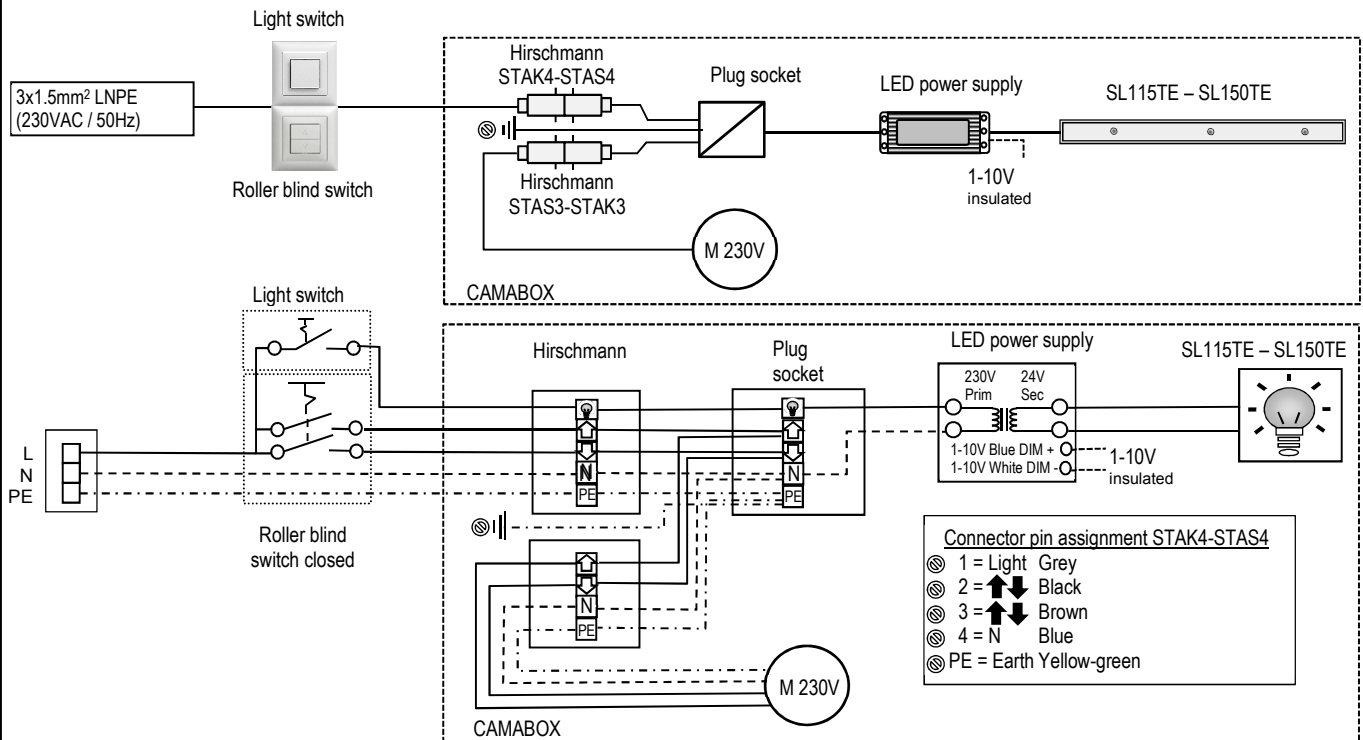
## STOBAG CAMABOX BX4000 lighting

\*With the present document version all previous versions are no longer valid. STOBAG endeavours to continuously improve these documents. Nevertheless, no liability is accepted for any errors which may occur and the impact thereof.

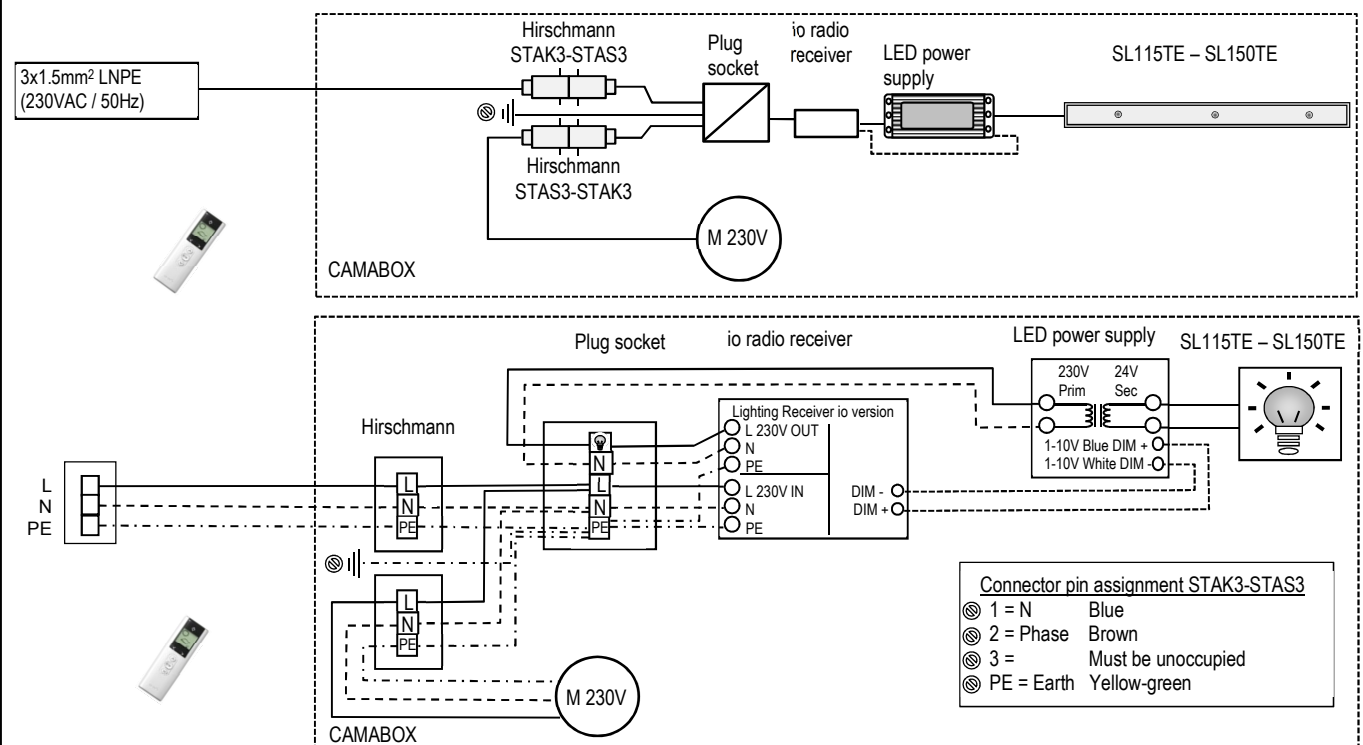
**The regulations must be read prior to assembly. The information and instructions must be observed to prevent hazards and damage.**

The extremely energy-efficient STOBAG lighting is fully integrated. The LED White lighting can be switched on and off via an ext. light switch. The handheld transmitter can be used to switch on/off and dim the lighting via radio io.

### Connection option 1: without radio LED White



### Connection option 2: Radio io LED White





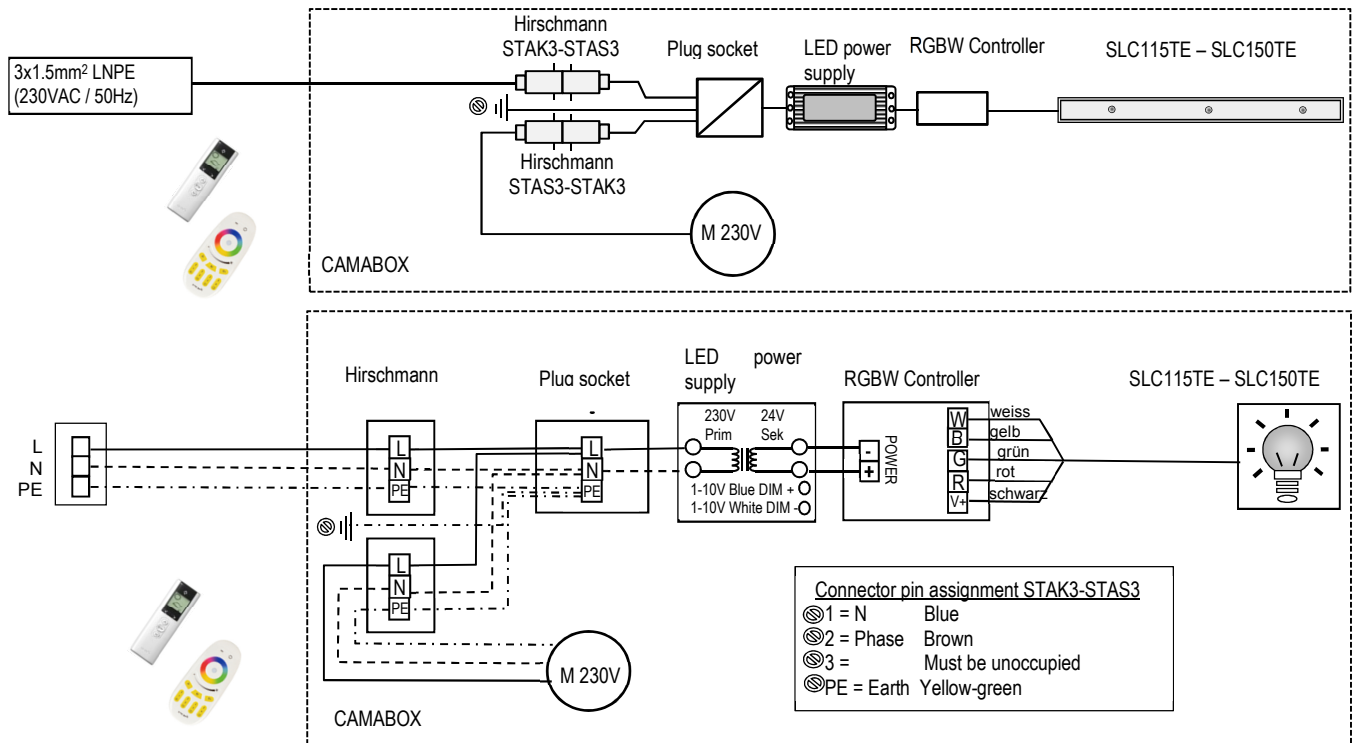
# Overview diagram: For electricians



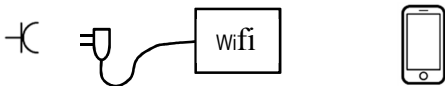
## STOBAG CAMABOX BX4000 lighting

The energy-efficient STOBAG RGBW lighting allows you to create your own ambiance with the primary LED colors of red, green blue and white. A hand-held transmitter is used to control the ambient lighting, also optionally via an app.

### Connection option 3: Radio LED RGBW



Opt. Wifi box incl. power pack 230V/5VDC



**Important: Control via the app requires a WLAN network.**

### Safety instructions:



- Check the unit for any damage as soon as it is unpacked.
- If it is ascertained that safe operation cannot be guaranteed it must be taken out of service immediately and secured from unintentional operation.
- The electric installation on site must be undertaken by authorised electricians.
- Make the electric connections in such a way that they are always **accessible and can be switched off**.
- Wiring work must be performed with the power disconnected.
- The stipulated protection class is only featured for undamaged and complete housing.
- Operation only with a downstream ground fault circuit interrupter, max. 30mA Type A.
- Local regulations must be observed.
- Any disposal must be performed according to the applicable legal provisions.