



METRO S3110

Drop-arm awning

S3110



Description

Drop arm awning with operating handle. Fabric cover. Retraction and extension with detachable operating handle. Bevel gearbox with gearbox reduction 3,5:1. Roller tube made of galvanised steel with groove for the cover fixation. Drop arms made of extruded aluminium hollow profiles, with variable projection, powder coated, with integrated tension springs for a projection angle from 0° to 170°. Joint for the arm fixation made of aluminium casting, powder coated, ready for installation in embrasures or on facades. Gearbox bearing and bearing opposite side with plastic liner for 12mm pin, made of aluminium casting, powder coated, as installation support for the roller tube, ready for top fixing or for installation on facades. Front rail made of extruded hollow aluminium profile, powder coated, to hold the cover and valance, with side caps. Operating handle powder coated matching the standard colours, with hook and plastic handle.

Option electric drive: Tubular AC motor 230V/50Hz ecoMot, powerFlex, powerFlex-radio with friction brake and electronic end stop. Thermal protection. Protection class IP54 (splash water), with 50-150cm 4-pole connection cable.

METHOD OF DELIVERY

Arms and all components loose. Cover on roller tube and front rail.





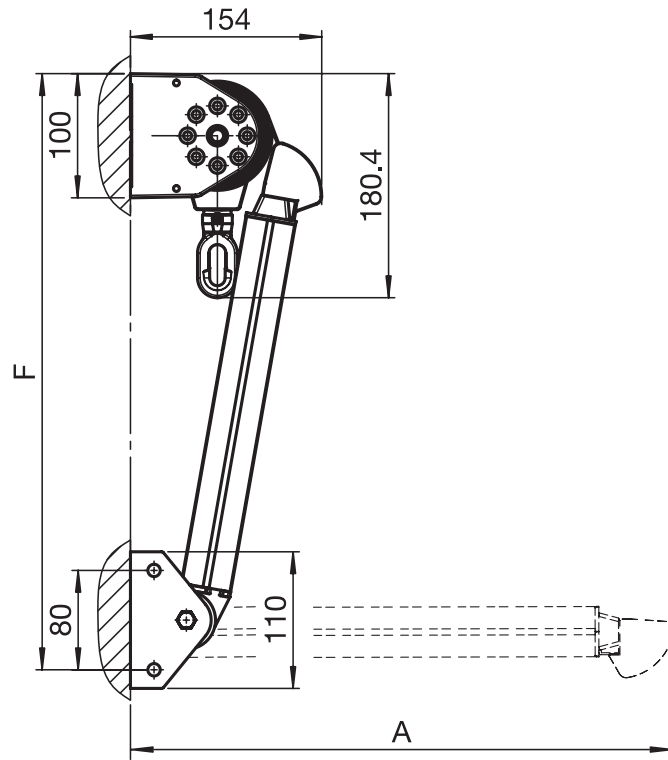
METRO S3110

Drop-arm awning

S3110

Wall fixing

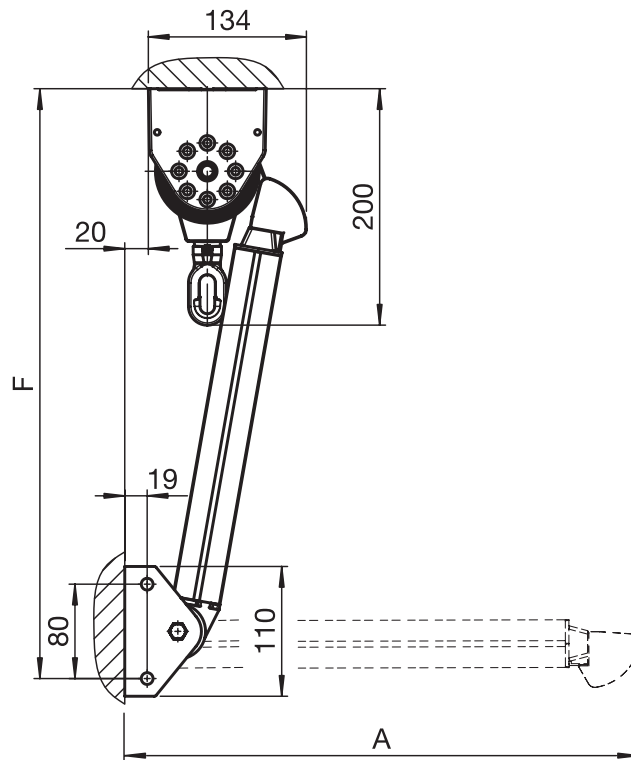
A [mm]	F [mm]
500	552
750	802
1000	1052
1250	1302
1500	1552
1750	1802



S3110

Top fixing

A [mm]	F [mm]
500	573
750	823
1000	1073
1250	1323
1500	1573
1750	1823



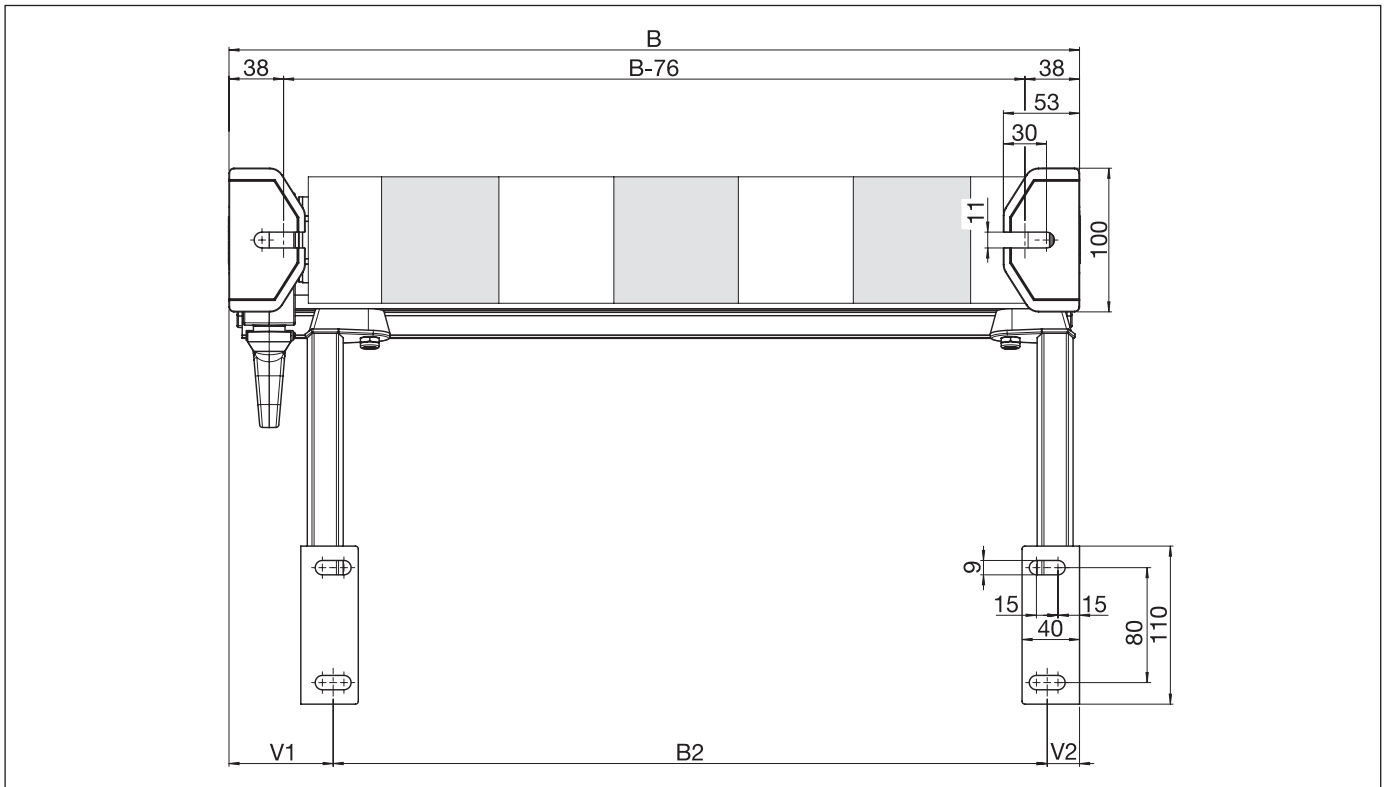


METRO S3110

Drop-arm awning

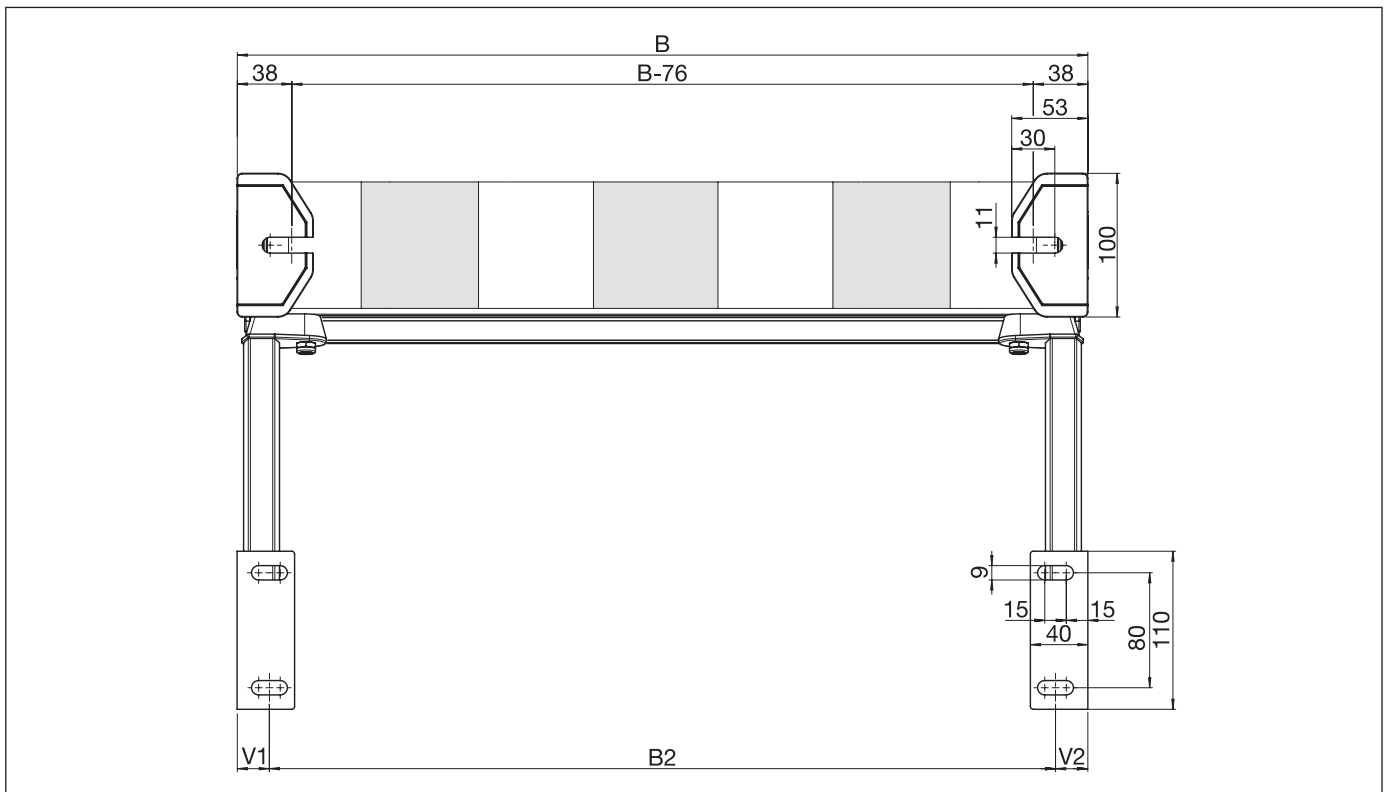
S3110

Installation drawing with gearbox



S3110

Installation drawing with motor drive



B = Total width